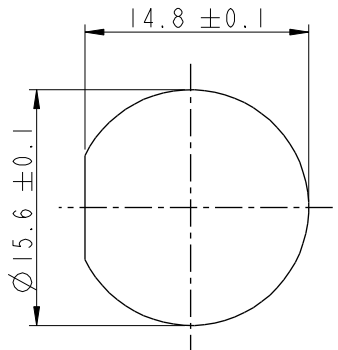
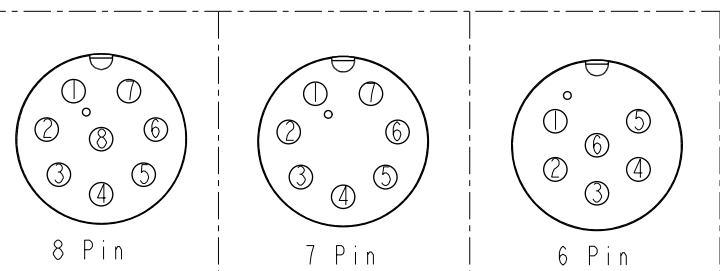
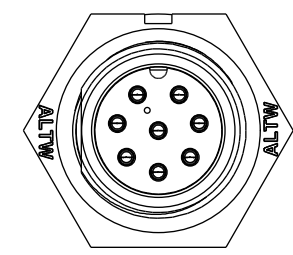
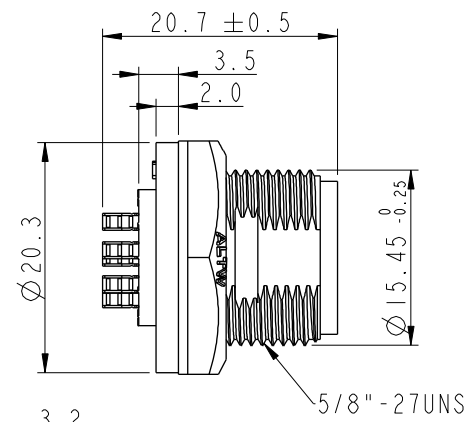
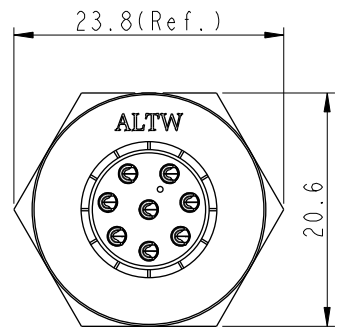


THIS DOCUMENT IS SUBJECT TO CHANGE WITHOUT NOTICE. IT IS CONFIDENTIAL AND A PROPERTY OF AMPHENOL LTW. DISCLOSURE TO THIRD PARTY HAS TO BE AUTHORIZED BY AMPHENOL LTW.

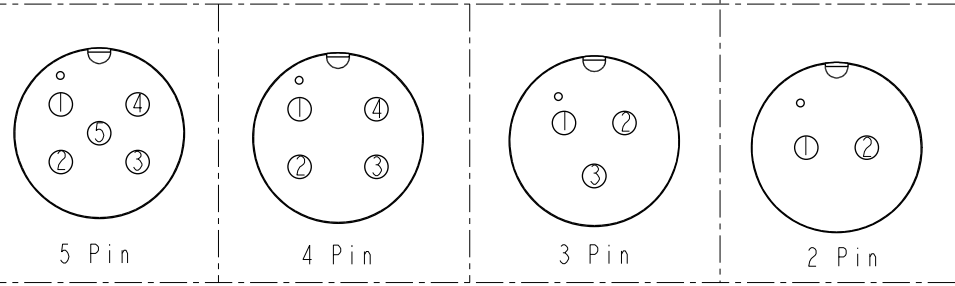
REV.	ECN NO.	DATE	SIGN	DESCRIPTION
B	C190346	2019/03/05	Vicky	Change Note



Recommended Panel Cut-Out

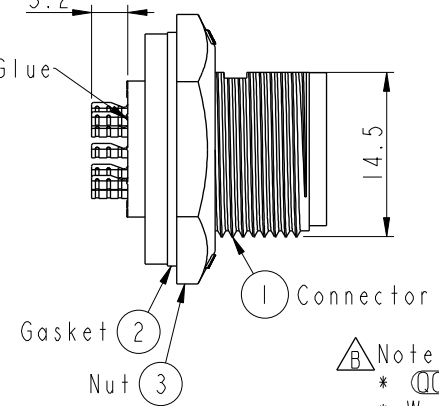


Pin Assignments Front View

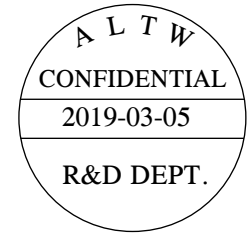


Pin Assignments Front View

With Liquid Glue



ABD-XXPMS-SC7001  
02:2Pin  
:  
08:8Pin



Note:

- \*  $\varnothing$  Important Dimension To Check.
- \* Waterproof Rate: IP67, Unmated.
- \* Housing: Thermoplastic, Black.
- \* Pin: Copper Alloy, Gold Plated.
- \* Gasket: Rubber, Gray.
- \* Nut: Thermoplastic, Black.
- \* Use with waterproof cap or dust cap  
Maximum Panel Thickness: 3.3mm
- \* Use without waterproof cap or dust cap  
Maximum Panel Thickness: 4.5mm
- \* Gasket and Nut are packed separately  
in PE bags. (Gasket/Nut不組裝, 散裝出貨)

UNIT: mm		TITLE STANDARD PANEL SCREW M CONN M PIN		
TOLERANCE		SCALE	SIZE	SHEET OF
.X ±0.25		2:1	A4	1 OF 1
.XX ±0.1		REV.	WC-REV.	
.XXX ±0.05		B	A.1	$\varnothing$ : Inspection item
ANGLES ±1°				

**Amphenol LTW**  
安費諾亮泰企業股份有限公司

ITEM NO.	DRAWN BY	DATE
	Vicky	2019-03-05
DWG NO.	CHECKED BY	DATE
ABD-XXPMS-SC7001	Rita	2019-03-05
CUSTOMER	APPROVED BY	DATE
ALTW	Max	2019-03-05