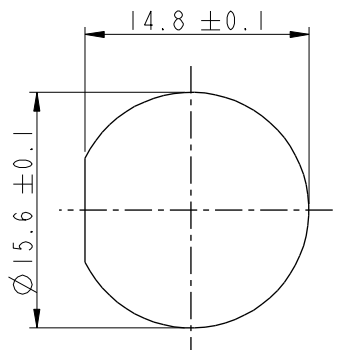
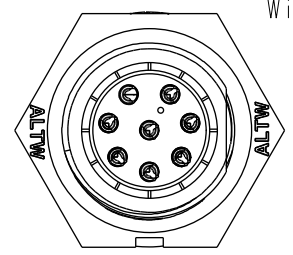


THIS DOCUMENT IS SUBJECT TO CHANGE WITHOUT NOTICE. IT IS CONFIDENTIAL AND A PROPERTY OF AMPHENOL LTW. DISCLOSURE TO THIRD PARTY HAS TO BE AUTHORIZED BY AMPHENOL LTW.

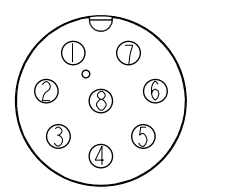
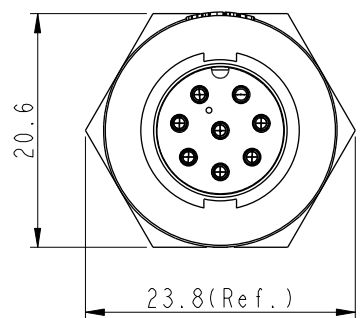
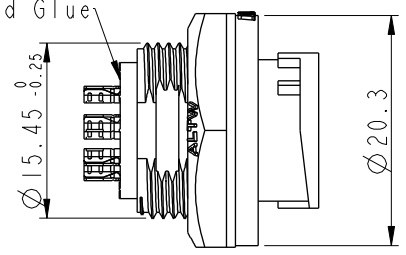
REV.	ECN NO.	DATE	SIGN	DESCRIPTION
B	C190346	2019/03/05	Vicky	Change Note



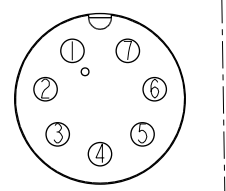
Recommended Panel Cut-Out



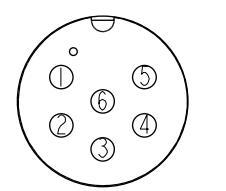
With Liquid Glue



8 Pin

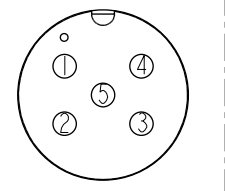


7 Pin

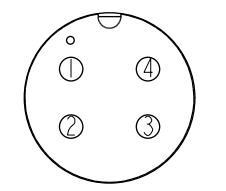


6 Pin

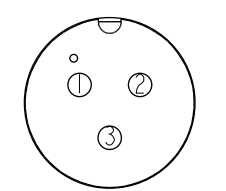
Pin Assignments Front View



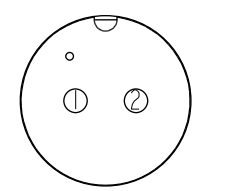
5 Pin



4 Pin

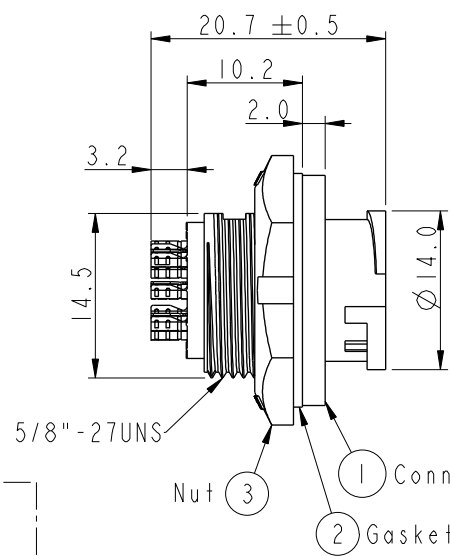


3 Pin



2 Pin

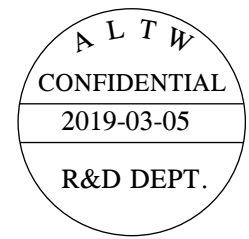
Pin Assignments Front View



Nut ③
① Connector
② Gasket

ABD-XXRMMS-LC7001

02:2Pin
:
08:8Pin



- Note:**
- * \varnothing Important Dimension.
 - * Waterproof Rate: IP67, Unmated.
 - * Housing: Thermoplastic, Black.
 - * Pin: Copper Alloy, Gold Plated.
 - * Nut: Thermoplastic, Black.
 - * Gasket: Rubber, Gray.
 - * Panel Thickness Max: 3.5mm
 - * Gasket and Nut are packed separately in PE bags. (Gasket/Nut不組裝、散裝出貨)

UNIT:mm		TITLE STANDARD PANEL LOCK M CONN M PIN		
TOLERANCE		SCALE	SIZE	SHEET
.X ±0.25		3:2	A4	1 OF 1
.XX ±0.1		REV.	WC-REV.	
.XXX ±0.05		B	A.1	
ANGLES ±1°		QC: Inspection item		

Amphenol LTW
安費諾亮泰企業股份有限公司

ITEM NO	DRAWN BY	DATE
	Vicky	2019-03-05
DWG NO	CHECKED BY	DATE
ABD-XXRMMS-LC7001	Rita	2019-03-05
CUSTOMER	APPROVED BY	DATE
ALTW	Max	2019-03-05