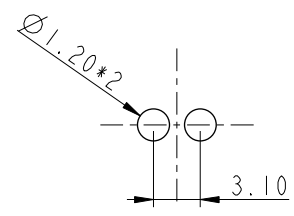
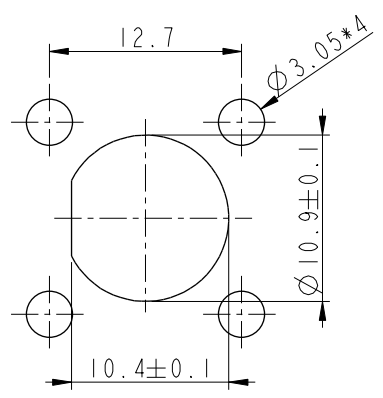


THIS DOCUMENT IS SUBJECT TO CHANGE WITHOUT NOTICE. IT IS CONFIDENTIAL AND A PROPERTY OF Amphenol LTW. DISCLOSURE TO THIRD PARTY HAS TO BE AUTHORIZED BY Amphenol LTW.

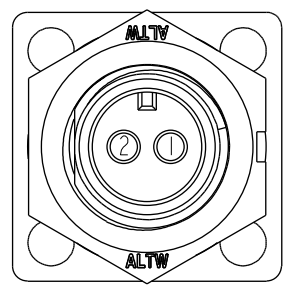
REV.	ECN NO.	DATE	SIGN	DESCRIPTION
B	LEN-8A0093	2008/09/05	Shin	Add Notes
C	LEN1640061	2016/03/30	Vicky	Update Logo
D	CI90268	2019/02/18	Ruru	Modify Note



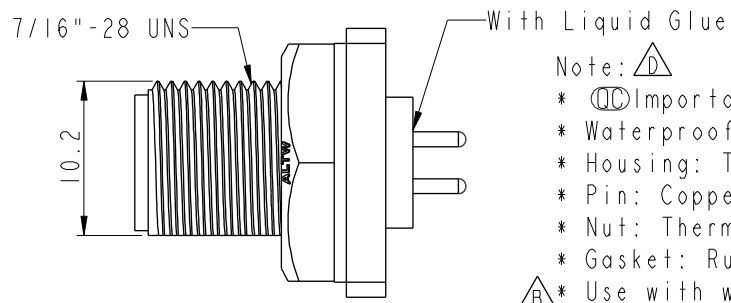
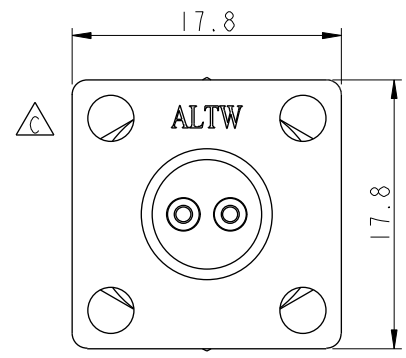
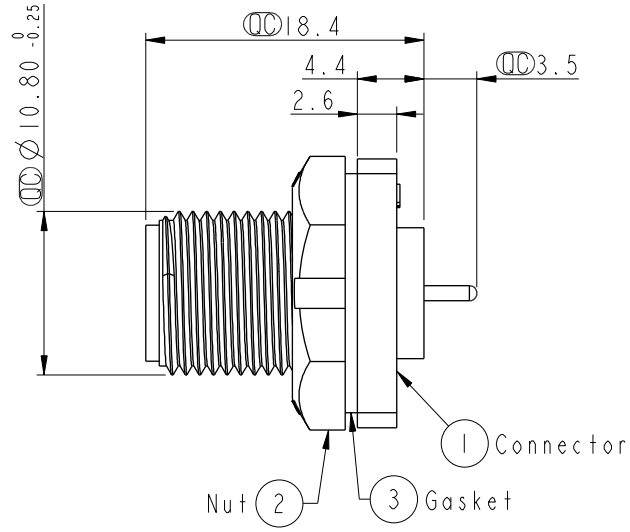
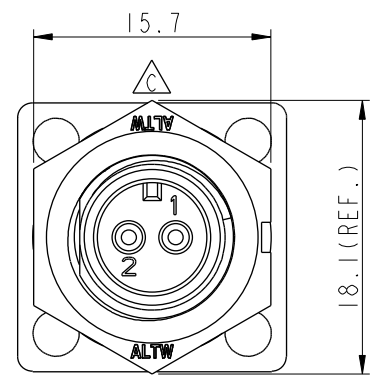
PCB Layout



Recommended Panel Cut-Out



Pin Assignments
Front View



Note: \triangle

- * CC Important Dimension To Check
- * Waterproof Rate: IP67, Unmated
- * Housing: Thermoplastic, Black
- * Pin: Copper Alloy, Gold Plated
- * Nut: Thermoplastic, Black
- * Gasket: Rubber, Black

- $\triangle A$ * Use with waterproof cap or dust cap
Panel thickness max: 4.0mm
- $\triangle B$ * Use without waterproof cap or dust cap
Panel thickness max: 5.0mm
- * Gasket and Nut are packed separately in PE bags.

UNIT:mm	
TOLERANCE	
.X	±0.25
.XX	±0.1
.XXX	±0.05
ANGLES	±1°

TITLE Mini Panel Screw 2Pin M Conn. M Pin			
SCALE 2:1	SIZE A4	SHEET 1 OF 1	
REV. D	WC-REV. A.2	CC : Inspection item	

Amphenol LTW
安費諾亮泰企業股份有限公司

ITEM NO AD-02PMMP-SS7001	DRAWN BY Ruru	DATE 2019-02-18
DWG NO AD-02PMMP-SS7001	CHECKED BY Rita	DATE 2019-02-18
CUSTOMER ALTW	APPROVED BY Max	DATE 2019-02-18