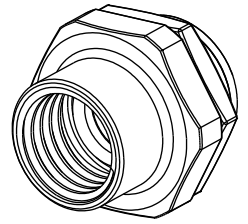
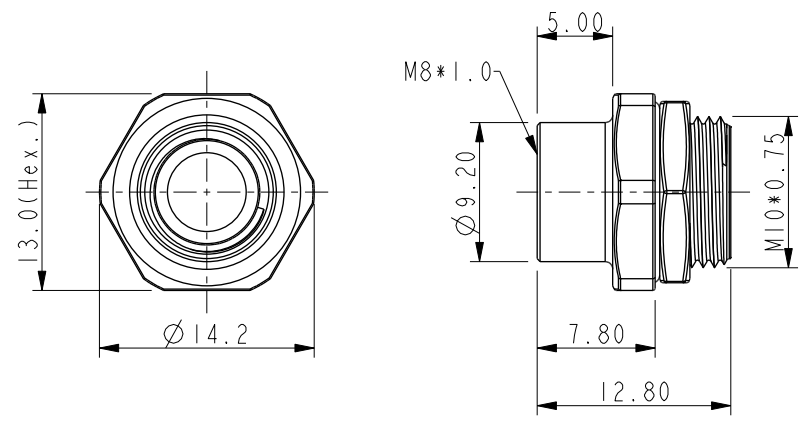
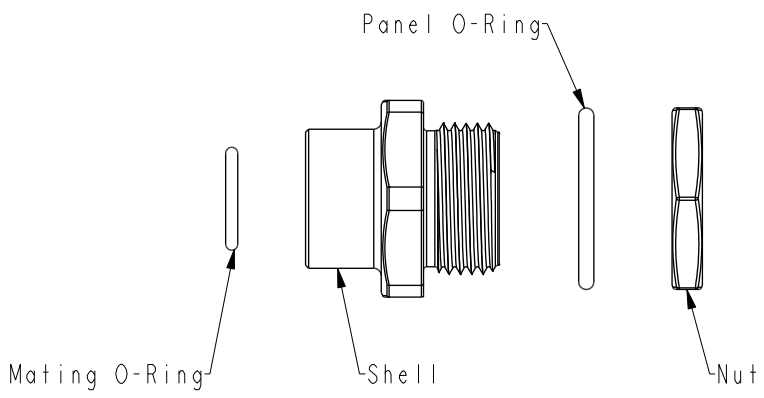
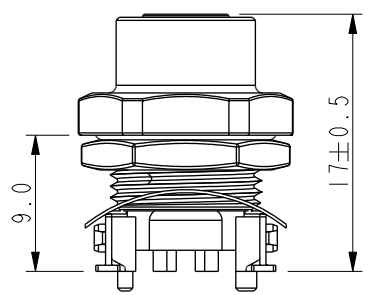
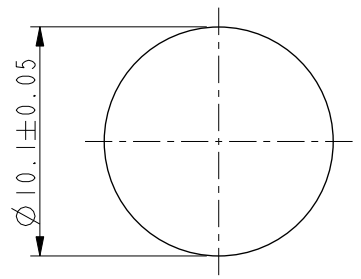


THIS DOCUMENT IS SUBJECT TO CHANGE WITHOUT NOTICE. IT IS CONFIDENTIAL AND A PROPERTY OF Amphenol LTW. DISCLOSURE TO THIRD PARTY HAS TO BE AUTHORIZED BY Amphenol LTW.

REV.	ECN NO.	DATE	SIGN	DESCRIPTION
A		2021-09-09	Allen Pan	Rev.02 To Rev.A



- Note:
- 1.Shell: Metal.
  - 2.Nut: Metal.
  - 3.Panel O-Ring: Rubber, Black.
  - 4.Mating O-Ring: Rubber, Gray.
  - 5.For Panel Thickness Max 3mm.
  - 6.Recommended Nut Torque: 4-6kgf.cm.



Recommended Panel Cut-out

UNIT: mm	TITLE		M8 SMT Female Rear Fastened Hexagonal Nut Package	
	SCALE	SIZE	SHEET	OF
	2:1	A4	1	1
TOLERANCE	REV.		WC-REV.	QC: Inspection item
.X ±0.25	A	A.1		
.XX ±0.1				
.XXX ±0.05				
ANGLES ±1°				

**Amphenol LTW**  
安費諾亮泰企業股份有限公司

ITEM NO.	APP-AAAFA008-002	DRAWN BY	Allen Pan	DATE	2021-09-09
DWG NO.	APP-AAAFA008-002	CHECKED BY	Sam Ho	DATE	2021-09-09
CUSTOMER	ALTW	APPROVED BY	Fred Lee	DATE	2021-09-09