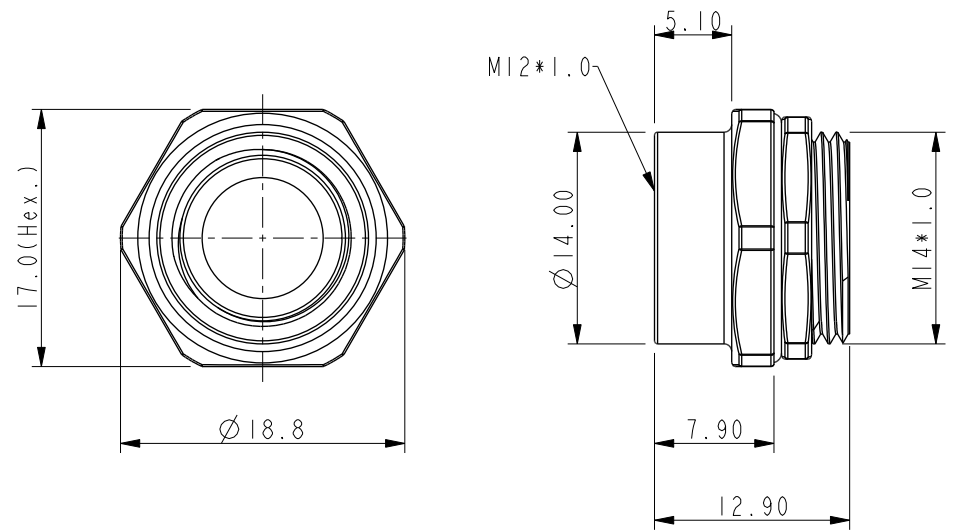
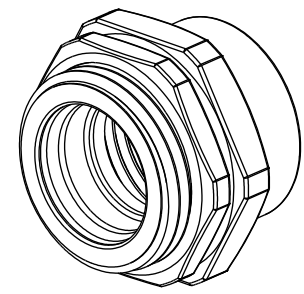
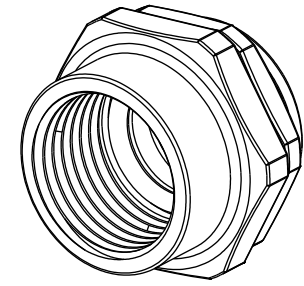
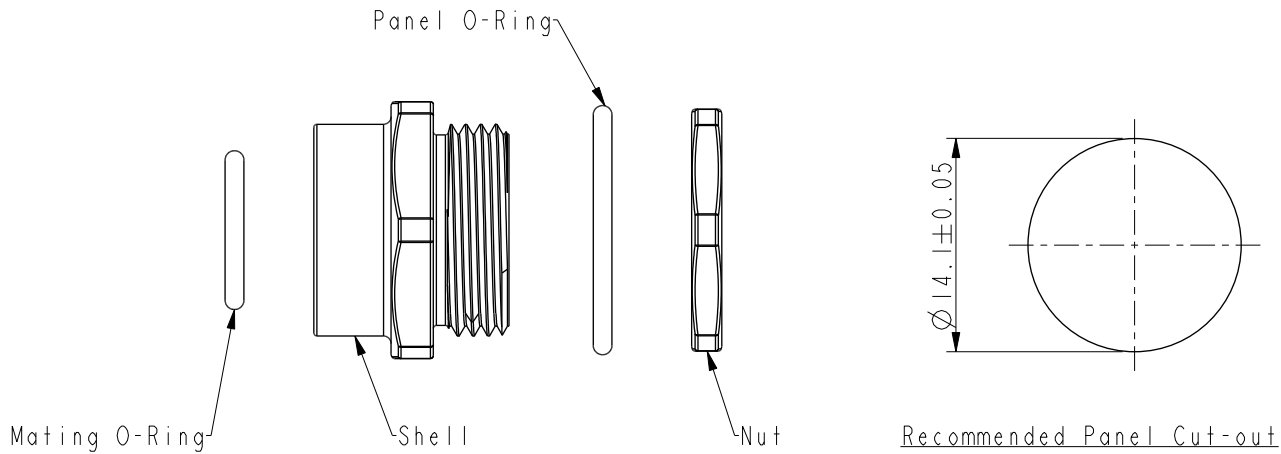


REV.	ECN NO.	DATE	SIGN	DESCRIPTION
A		2020-09-04	Allen Pan	Rev.01 To Rev.A
B	C201590	2020-10-19	Allen Pan	$\triangle B \times I$



- Note:
- 1.Shell: Metal.
 - 2.Nut: Metal.
 - 3.Panel O-Ring: Rubber, Gray.
 - 4.Mating O-Ring: Rubber, Red.
 - 5.For Panel Thickness Max 3mm.
 - 6.Recommended Nut Torque: 4-6kgf.cm.

UNIT:mm		
TOLERANCE	.X ± 0.25	.XX ± 0.1
	.XXX ± 0.05	ANGLES $\pm 1^\circ$

TITLE	M12 SMT Female Rear Fastened Hexagonal Nut Package		
SCALE	2:1	SIZE	A4
REV.	B	WC-REV.	A.1
		SHEET	1 OF 1
		☉: Inspection item	

Amphenol LTW
安費諾亮泰企業股份有限公司

ITEM NO	APPM-AAFA012-002	DRAWN BY	Allen Pan	DATE	2020-09-04
DWG NO	APPM-AAFA012-002	CHECKED BY	Sam Ho	DATE	2020-09-04
CUSTOMER	ALTW	APPROVED BY	Fred Lee	DATE	2020-09-04

THIS DOCUMENT IS SUBJECT TO CHANGE WITHOUT NOTICE. IT IS CONFIDENTIAL AND A PROPERTY OF Amphenol LTW. DISCLOSURE TO THIRD PARTY HAS TO BE AUTHORIZED BY Amphenol LTW.