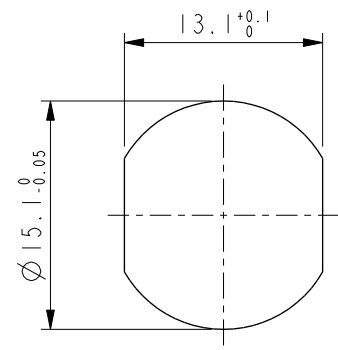
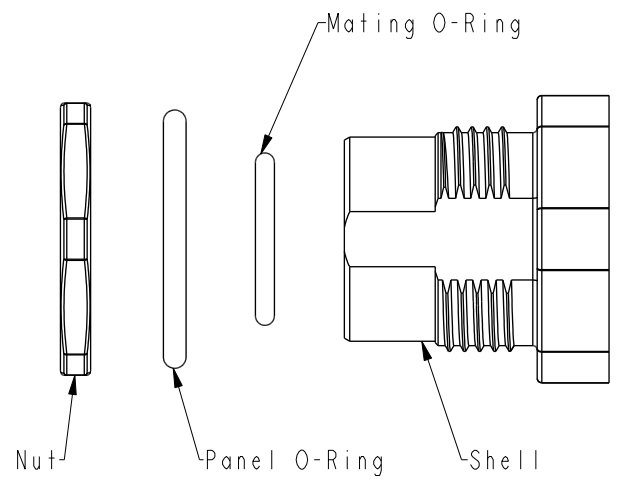
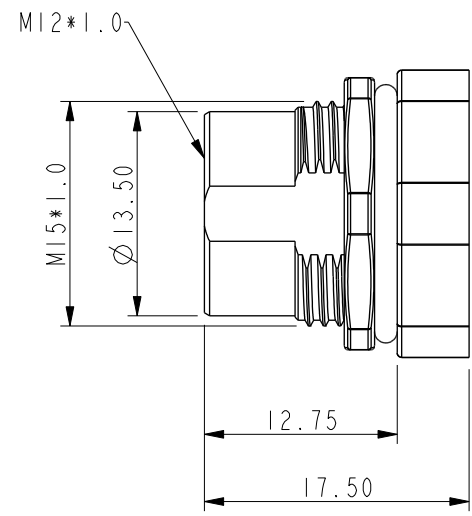
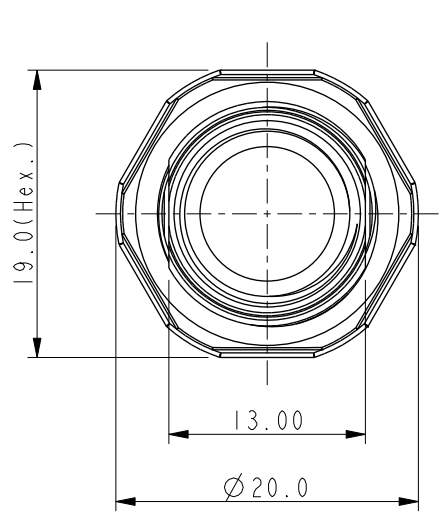
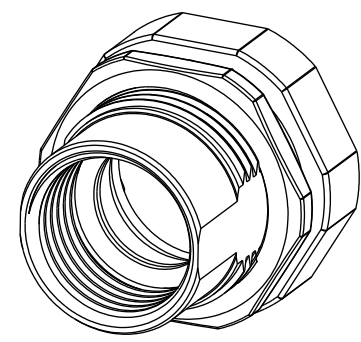


THIS DOCUMENT IS SUBJECT TO CHANGE WITHOUT NOTICE. IT IS CONFIDENTIAL AND A PROPERTY OF Amphenol LTW. DISCLOSURE TO THIRD PARTY HAS TO BE AUTHORIZED BY Amphenol LTW.

REV.	ECN NO.	DATE	SIGN	DESCRIPTION
A		2020-10-19	Allen Pan	Rev.01 To Rev.A



Recommended Panel Cut-Out



- Notes:
- 1.Shell: Metal.
 - 2.Nut: Metal.
 - 3.Panel O-Ring: Rubber, Gray.
 - 4.Mating O-Ring: Rubber, Red.
 - 5.For Panel Thickness Max 4mm.
 - 6.Recommended Nut Torque: 4-6kgf.cm.

UNIT:mm		
TOLERANCE	.X ±0.25	.XX ±0.1
	.XXX ±0.05	ANGLES ±1°

TITLE M12 PCB Female Front Fastened Hexagonal Nut Package			
SCALE 2:1	SIZE A4	SHEET 1 OF 1	
REV. A	WC-REV. A.1	☉: Inspection item	

Amphenol LTW
安費諾亮泰企業股份有限公司

ITEM NO. APPM-AAFA012-003	DRAWN BY Allen Pan	DATE 2020-10-19
DWG NO. APPM-AAFA012-003	CHECKED BY Sam Ho	DATE 2020-10-19
CUSTOMER ALTW	APPROVED BY Fred Lee	DATE 2020-10-19