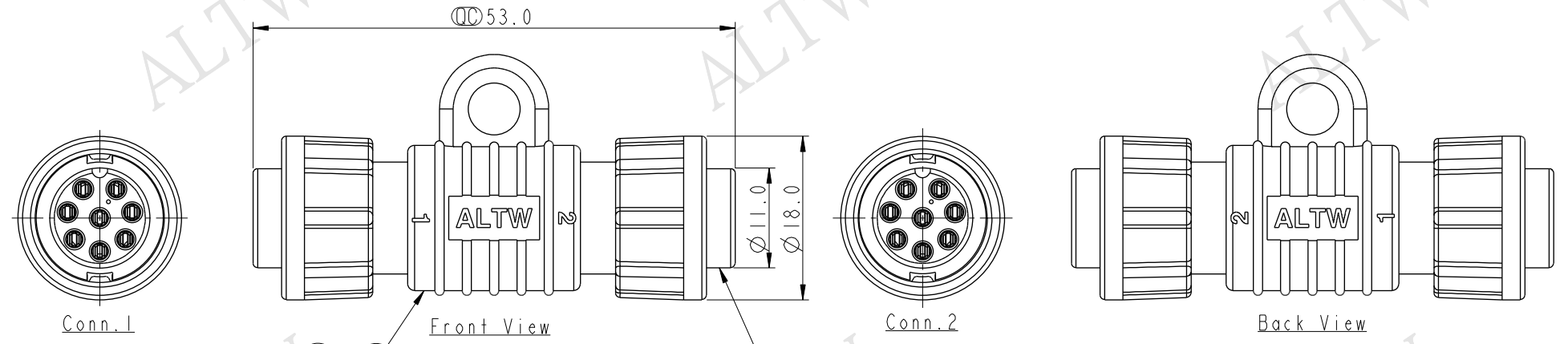


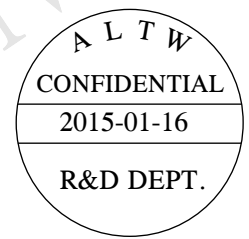
THIS DOCUMENT IS SUBJECT TO CHANGE WITHOUT NOTICE. IT IS CONFIDENTIAL AND A PROPERTY OF Amphenol LTW. DISCLOSURE TO THIRD PARTY HAS TO BE AUTHORIZED BY Amphenol LTW.

REV.	ECN NO.	DATE	SIGN	DESCRIPTION
A		2015/01/16	Vicky	Old Item No. LTWBA-88-FF-TS



Wire Harness ⑦ ~ ⑭
 Inner Mold ⑤
 Outer Mold ⑥
 Color: Black

- ① Housing
- ② Pin
- ③ Lock Nut
- ④ O-Ring



Note:
 * ⌀ Important Dimension
 * Waterproof Rate: IP66
 * Connector: Nylon+GF, Black
 * Female Pin: Copper Alloy, Gold Plated
 * Lock Nut: Nylon+GF, Black
 * O-Ring: EPDM, Black
 * Wire Harness: UL1007 24AWG



8	Pink	粉紅	8
7	Yellow	黃	7
6	Green	綠	6
5	White	白	5
4	Brown	棕	4
3	Blue	藍	3
2	Black	黑	2
1	Red	紅	1
Conn.1	Wire Color		Conn.2
Pin Out			

UNIT:mm
 TOLERANCE
 ±0.5 mm

TITLE
 Standard 1 Adaptor
 Lock 8Pin FF Conn FF Pin

SCALE 3:2 SIZE A4 SHEET 1 OF 1

REV. A WC-REV. A.2 ⌀ Inspection item

Amphenol LTW
 安費諾亮泰企業股份有限公司

ITEM NO. BA-000808-0FF-1L001	DRAWN BY Vicky	DATE 2015-01-16
DWG NO. BA-000808-0FF-1L001	CHECKED BY Sam	DATE 2015-01-16
CUSTOMER ALTW	APPROVED BY Rita	DATE 2015-01-16