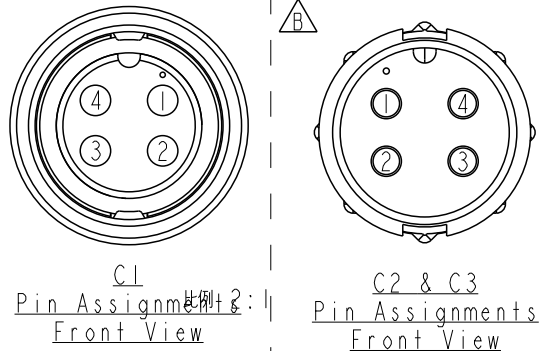
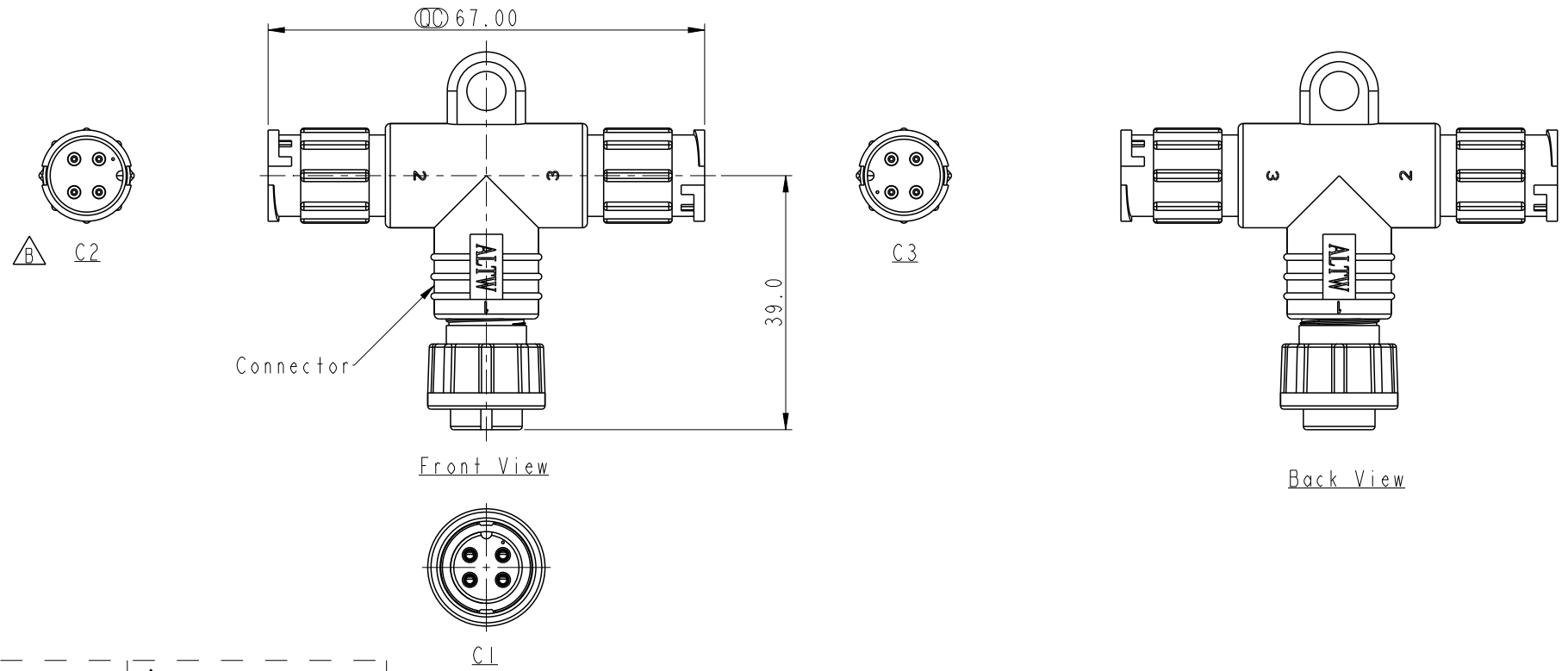


THIS DOCUMENT IS SUBJECT TO CHANGE WITHOUT NOTICE. IT IS CONFIDENTIAL AND A PROPERTY OF AMPHENOL LTW. DISCLOSURE TO THIRD PARTY HAS TO BE AUTHORIZED BY AMPHENOL LTW.

REV.	ECN NO.	DATE	SIGN	DESCRIPTION
A	Initial Released	2019/12/20	Jane	Initial Released
B	C192227	2019/12/26	Jane	△ B x2



4	4	4	Brown	棕
3	3	3	Blue	藍
2	2	2	Black	黑
1	1	1	Red	紅
C1	C2	C3	Wire Color	

Note:

- \* ⌀ Important Dimension.
- \* Waterproof Rate: IP66, Mated
- \* Housing: Thermoplastic, Black
- \* Pin: Copper Alloy, Gold Plated
- \* Nut: Thermoplastic, Black
- \* Wire Harness: UL1007, 24AWG

UNIT:mm  
 TOLERANCE  
 ±0.5 mm

TITLE  
 S ACC, CERES, B-5A, ADA W/O CB  
 T, FMM, 444, 2LOCK

SCALE 1:1 SIZE A4 SHEET 1 OF 1

REV. B WC-REV. A.5 ⌀ Inspection item

**Amphenol LTW**  
 安費諾亮泰企業股份有限公司

ITEM NO BA-040404-FMM-TL001	DRAWN BY Jane	DATE 2019/12/20
DWG NO BA-040404-FMM-TL001	CHECKED BY Brady	DATE 2019/12/20
CUSTOMER ALTW	APPROVED BY Neo	DATE 2019/12/20