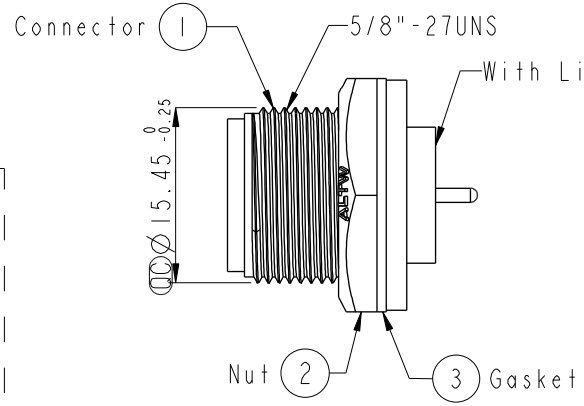
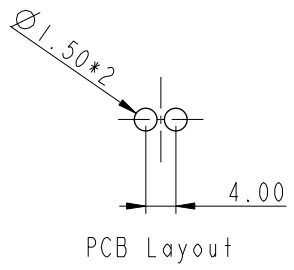
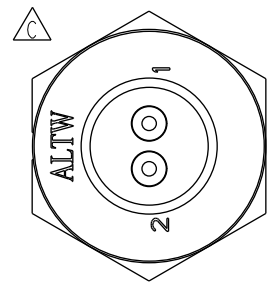
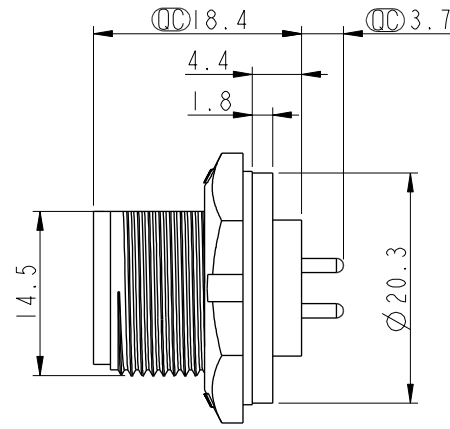
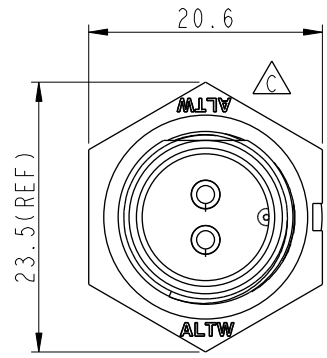
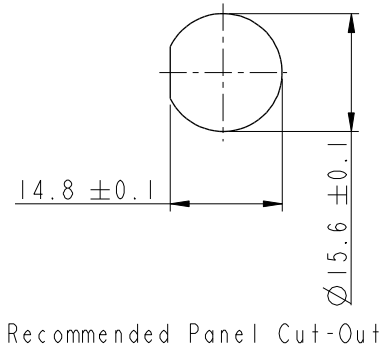
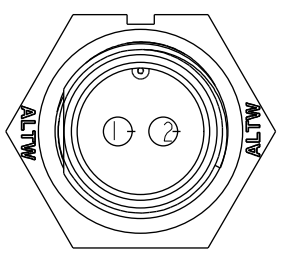


THIS DOCUMENT IS SUBJECT TO CHANGE WITHOUT NOTICE. IT IS CONFIDENTIAL AND A PROPERTY OF AMPHENOL LTW. DISCLOSURE TO THIRD PARTY HAS TO BE AUTHORIZED BY AMPHENOL LTW.

REV.	ECN NO.	DATE	SIGN	DESCRIPTION
B	LEN-8B0469	2008/09/10	Shin	Add Note
C	LEN1730277	2017/03/20	Ruru	Change Logo
D	CI90274	2019/02/19	Ruru	Modify Note



- Note:
- * Important Dimension To Check.
 - * Waterproof Rate: IP67, Unmated
 - * Housing: Thermoplastic, Black
 - * Pin: Copper Alloy, Gold Plated
 - * Nut: Thermoplastic, Black
 - * Gasket: Rubber, Black
 - * Use with waterproof cap or dust cap
Panel Thickness Max: 3.0mm
 - * Use without waterproof cap or dust cap
Panel Thickness Max: 4.0mm
 - * Gasket and Nut are packed separately in PE bags.



UNIT:mm	
TOLERANCE	
.X	±0.25
.XX	±0.1
.XXX	±0.05
ANGLES	±1°

TITLE Standard Panel Screw 2Pin M Conn. M Pin			
SCALE 1:1	SIZE A4	SHEET 1 OF 1	
REV. D	WC-REV. A.4	: Inspection item	

Amphenol LTW
安費諾亮泰企業股份有限公司

ITEM NO BB-02PMMP-SC7001	DRAWN BY Ruru	DATE 2019-02-19
DWG NO BB-02PMMP-SC7001	CHECKED BY Rita	DATE 2019-02-19
CUSTOMER ALTW	APPROVED BY Max	DATE 2019-02-19