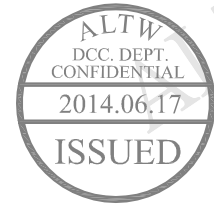
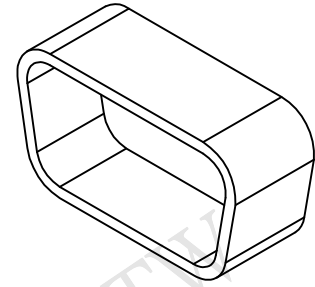
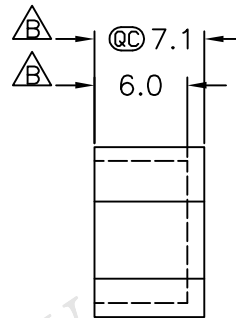
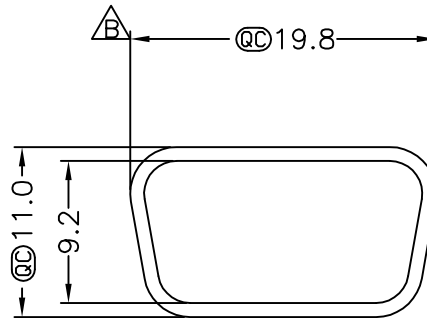


REV.	ECN NO.	DATE	SIGN	DESCRIPTION
A	Initial Release	2013/08/28	Vicky	Old Item No. CAP-DD1MMXA1
B	LEN1460048	2014/06/05	Vicky	Modify Dimension



- Note:
- * @C Important Dimension.
 - * Material: PE, Nature(本色)
 - * Supplier: KSS
 - * Supplier Item No.: HR-9M

UNIT:mm		TITLE Dust Cover For DB09/HD15 M
TOLERANCE ±0.5 mm	SCALE Free	SHEET 1 OF 1
REV. B	SIZE A4	@C :Inspection Item

Amphenol LTW
安費諾亮泰企業股份有限公司

ITEM NO CAP-DD1MDMA1	DRAWN BY Vicky	DATE 2014/06/05
DWG NO CAP-DD1MDMA1	CHECKED BY Sam	DATE 2014/06/05
CUSTOMER ALTW	APPROVED BY Rita	DATE 2014/06/05

THIS DOCUMENT IS SUBJECT TO CHANGE WITHOUT NOTICE. IT IS CONFIDENTIAL AND A PROPERTY OF Amphenol LTW. DISCLOSURE TO THIRD PARTY HAS TO BE AUTHORIZED BY Amphenol LTW.