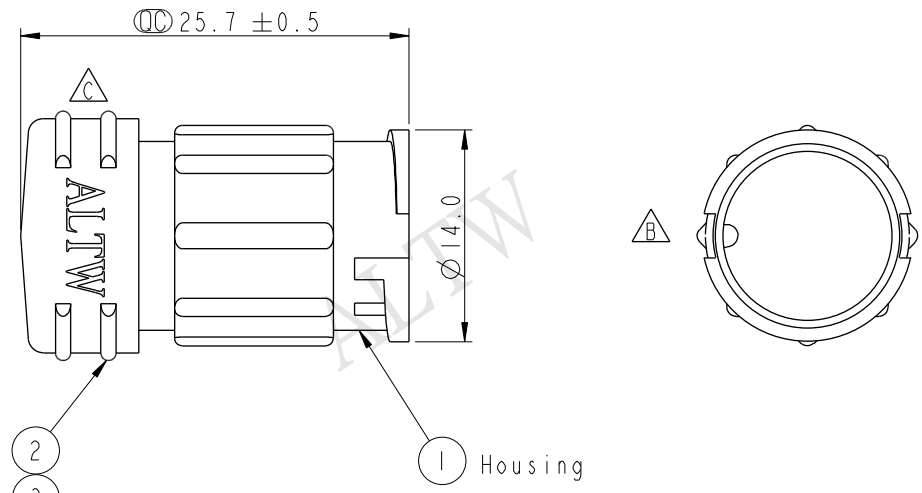
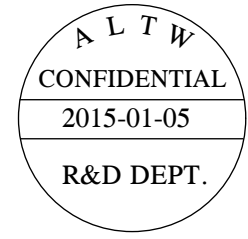


THIS DOCUMENT IS SUBJECT TO CHANGE WITHOUT NOTICE. IT IS CONFIDENTIAL AND A PROPERTY OF AMPHENOL LTW. DISCLOSURE TO THIRD PARTY HAS TO BE AUTHORIZED BY AMPHENOL LTW.

REV.	ECN NO.	DATE	SIGN	DESCRIPTION
A	Initial Release	2013/09/10	Vicky	Old Item No. CAP-WABCFLAI
B	LEN13C0093	2013/12/16	Yulong_wang	Update The K Spot Direction
C	LEN15I0310	2015/01/05	Ruru	Change Logo



Outer Mold (2)
 Inner Mold (3)
 Color: Black
 (1) Housing



Note:
 * \varnothing Important Dimension
 * Waterproof Rate: IP67
 * Housing: Nylon+GF, Black

UNIT: mm		
TOLERANCE		
.X	±0.25	
.XX	±0.1	
.XXX	±0.05	
ANGLES	±1°	

TITLE Standard Size Waterproof Cap for F Conn F pin			
SCALE 2:1	SIZE A4	SHEET 1 OF 1	
REV. C	WC-REV. B.2	\varnothing : Inspection item	

Amphenol LTW
 安費諾亮泰企業股份有限公司

ITEM NO. CAP-WABFLMAI	DRAWN BY Ruru	DATE 2015-01-05
DWG NO. CAP-WABFLMAI	CHECKED BY Rita	DATE 2015-01-05
CUSTOMER ALTW	APPROVED BY Win	DATE 2015-01-05