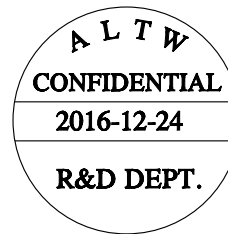
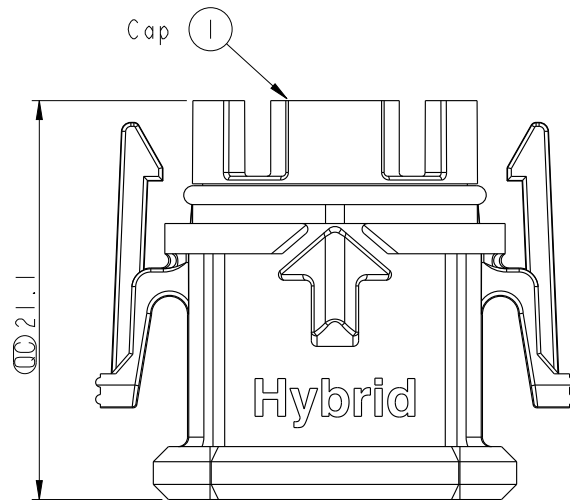
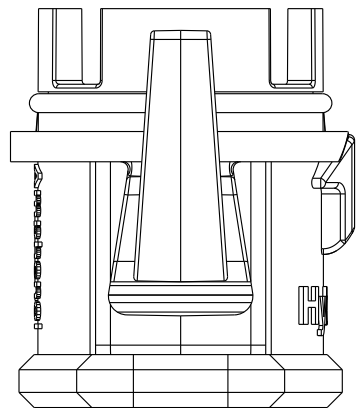
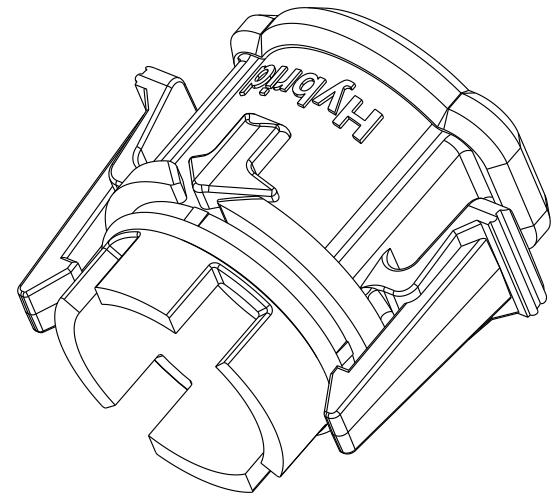
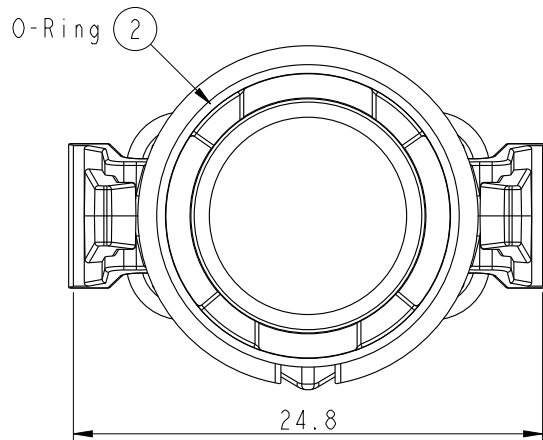


REV.	ECN NO.	DATE	SIGN	DESCRIPTION
A	Initial Release	2016-12-24	Spring Liu	Change Rev.01 To Rev.A



- Note:
- * \varnothing Important Dimension To Check.
 - * Waterproof Rate: IP68
(in 1 meter water within 24 hours)
 - * Housing: PP, Black
 - * Oring: Silicone, Gray

UNIT:mm		
TOLERANCE		
.X	±0.25	
.XX	±0.1	
.XXX	±0.05	
ANGLES	±1°	

TITLE X-Lok C-Size(Hybrid) Waterproof Cap For Male Conn.			
SCALE 5:2	SIZE A4	SHEET 1 OF 1	
REV. A	WC-REV. A.2	\varnothing : Inspection item	

Amphenol LTW
安費諾亮泰企業股份有限公司

ITEM NO CAP-WACMQMA2	DRAWN BY Spring Liu	DATE 2016-12-24
DWG NO CAP-WACMQMA2	CHECKED BY Fisher Wang	DATE 2016-12-24
CUSTOMER ALTW	APPROVED BY Kevin Hu	DATE 2016-12-24

THIS DOCUMENT IS SUBJECT TO CHANGE WITHOUT NOTICE. IT IS CONFIDENTIAL AND A PROPERTY OF AMPHENOL LTW. DISCLOSURE TO THIRD PARTY HAS TO BE AUTHORIZED BY AMPHENOL LTW.