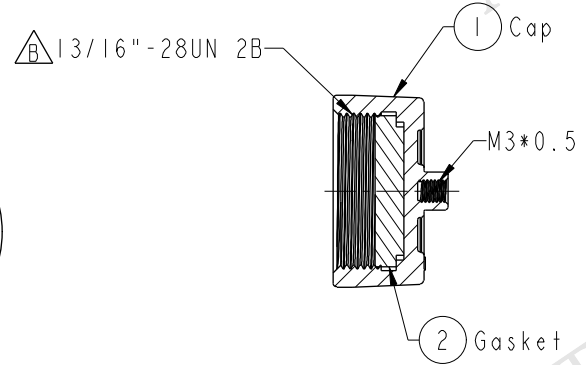
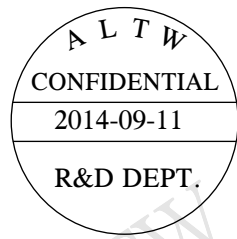
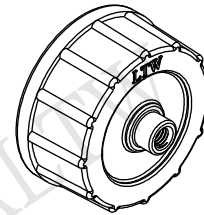
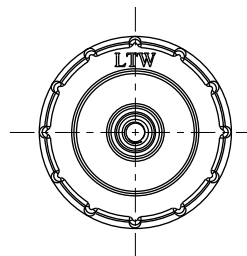
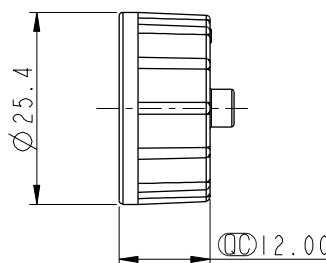
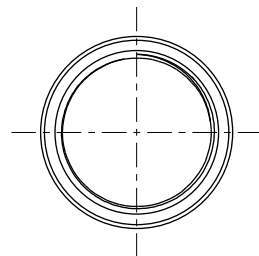


THIS DOCUMENT IS SUBJECT TO CHANGE WITHOUT NOTICE. IT IS CONFIDENTIAL AND A PROPERTY OF LTW. DISCLOSURE TO THIRD PARTY HAS TO BE AUTHORIZED BY LTW.

REV.	ECN NO.	DATE	SIGN	DESCRIPTION
A	Initial Release	2013/09/10	Vicky	Old Item No. CAP-WACPMSA2
B	LEN1490174	2014/09/11	Vicky	Update the thread size



- Note:
- * ⌀ Important Dimension.
 - * Waterproof Rate: IP67
 - * Cap: Zinc Alloy, Nickel Plated
 - * Gasket: EPDM, Black

UNIT: mm 	TITLE: Waterproof Cap For Male Conn C Size Screw Type Metal Cap			Amphenol LTW 安費諾亮泰企業股份有限公司		ITEM NO	DRAWN BY	DATE	
	SCALE: 1:1 SIZE: A4 SHEET 1 OF 1					CAP-WACMSMA2	Vicky	2014-09-11	
	TOLERANCE .X ±0.25 .XX ±0.1 .XXX ±0.05 ANGLES ±1°	REV. B	WC-REV. A.1	⌀ : Inspection item	CAP-WACMSMA2	CHECKED BY Sam	DATE 2014-09-11	CUSTOMER ALTW	APPROVED BY Rita