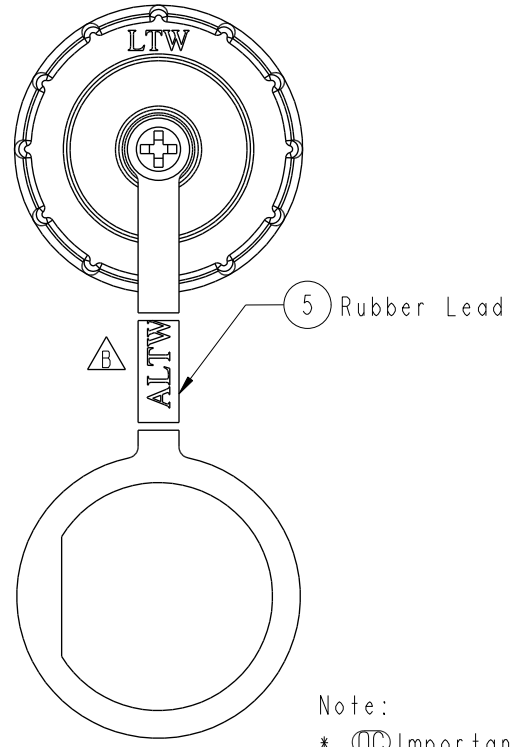
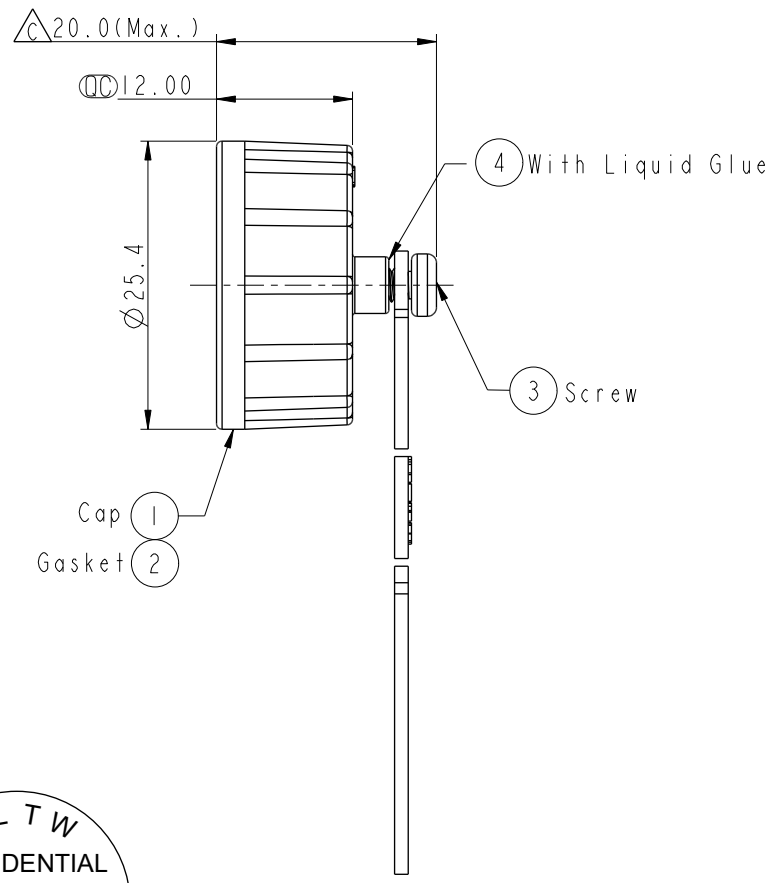


THIS DOCUMENT IS SUBJECT TO CHANGE WITHOUT NOTICE. IT IS CONFIDENTIAL AND A PROPERTY OF Amphenol LTW. DISCLOSURE TO THIRD PARTY HAS TO BE AUTHORIZED BY Amphenol LTW.

REV.	ECN NO.	DATE	SIGN	DESCRIPTION
A	Initial Release	2013/09/10	Vicky	Old Item No. CAP-WACPMSC2
B	LEN1480129	2014/08/06	Vicky	Change Logo
C	C202032	2020/12/24	Ruru	$\triangle C$ X4



- Note:
- * CC Important Dimension.
 - * Waterproof Rate: IP67
 - $\triangle C$ * Cap: Metal
 - $\triangle C$ * Gasket: Rubber, Black
 - * Rubber Lead: Hytrel, Black
 - * Screw is not allowed to tight (Chain be revolve)
不可將螺絲鎖緊, (鏈條要可旋轉)

UNIT: mm		
TOLERANCE		
.X	± 0.25	
.XX	± 0.1	
.XXX	± 0.05	
ANGLES	$\pm 1^\circ$	

TITLE ACC, CERES, WP CAP SCREW, W/RB LEAD $\triangle C$			
SCALE 3:2	SIZE A4	SHEET 1 OF 1	
REV. C	WC-REV. A.1	CC : Inspection item	

Amphenol LTW
安費諾亮泰企業股份有限公司

ITEM NO. CAP-WACMSPC2	DRAWN BY Vicky	DATE 2014-08-06
DWG NO. CAP-WACMSPC2	CHECKED BY Sam	DATE 2014-08-06
CUSTOMER ALTW	APPROVED BY Rita	DATE 2014-08-06