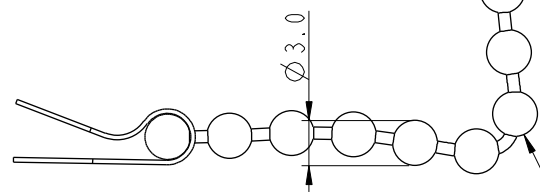
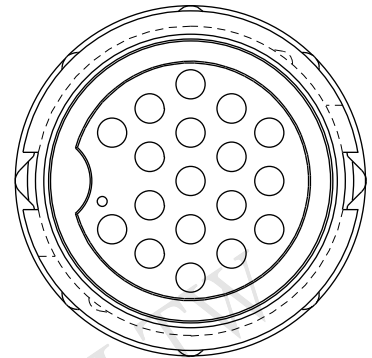
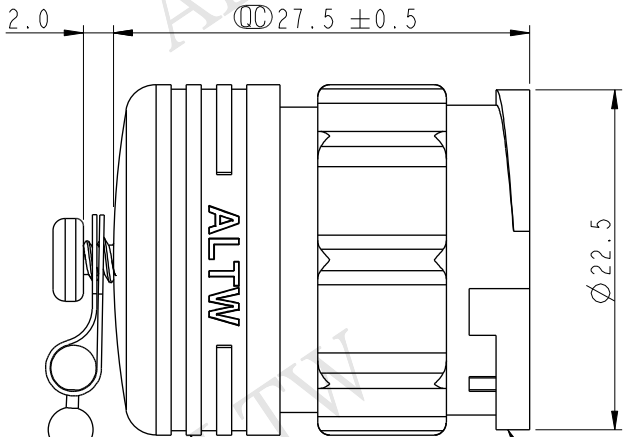
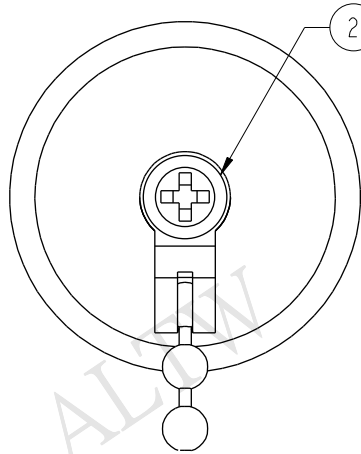


THIS DOCUMENT IS SUBJECT TO CHANGE WITHOUT NOTICE. IT IS CONFIDENTIAL AND A PROPERTY OF Amphenol LTW. DISCLOSURE TO THIRD PARTY HAS TO BE AUTHORIZED BY Amphenol LTW.

REV.	ECN NO.	DATE	SIGN	DESCRIPTION
A	Initial Release	2013/09/11	Vicky	Old Item No. CAP-WADCFLB2
B	LEN1590031	2015/08/21	Ruru	Change Logo

**ALTW**  
 CONFIDENTIAL  
 2015-08-21  
 R&D DEPT.



4 Inner Mold  
 5 Outer Mold  
 Color: Black

- Note:
- \*  $\varnothing$  Important Dimension To Check.
  - \* Waterproof Rate: IP67
  - \* Housing: Nylon+GF, Black
  - \* Screw is not allowed to tight (Chain be revolve)  
不可將螺絲鎖緊, (鏈條要可旋轉)
  - \* Drill Hold  $\varnothing 2.30\text{mm}$ , Depth 4mm.  
鑽孔  $\varnothing 2.3\text{mm}$ , 深4mm.

**ALTW**  
 DCC. DEPT.  
 CONFIDENTIAL  
 2015.09.02  
 ISSUED

UNIT: mm		
TOLERANCE	.X ±0.25	
	.XX ±0.1	
	.XXX ±0.05	
ANGLES	±1°	

TITLE Large Size Waterproof Cap for F Conn M Pin			
SCALE 2:1	SIZE A4	SHEET 1 OF 1	
REV. B	WC-REV. A.1	$\varnothing$ : Inspection item	

**Amphenol LTW**  
 安費諾亮泰企業股份有限公司

ITEM NO. CAP-WADFLPB2	DRAWN BY Ruru	DATE 2015-08-21
DWG NO. CAP-WADFLPB2	CHECKED BY Rita	DATE 2015-08-21
CUSTOMER ALTW	APPROVED BY Lion	DATE 2015-08-21