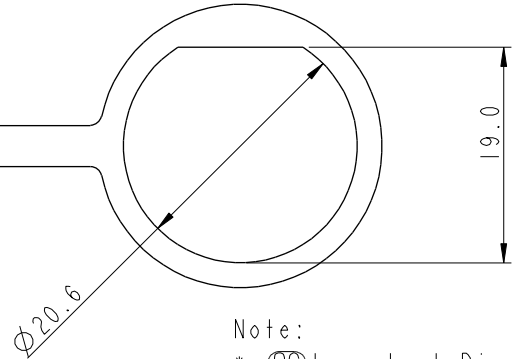
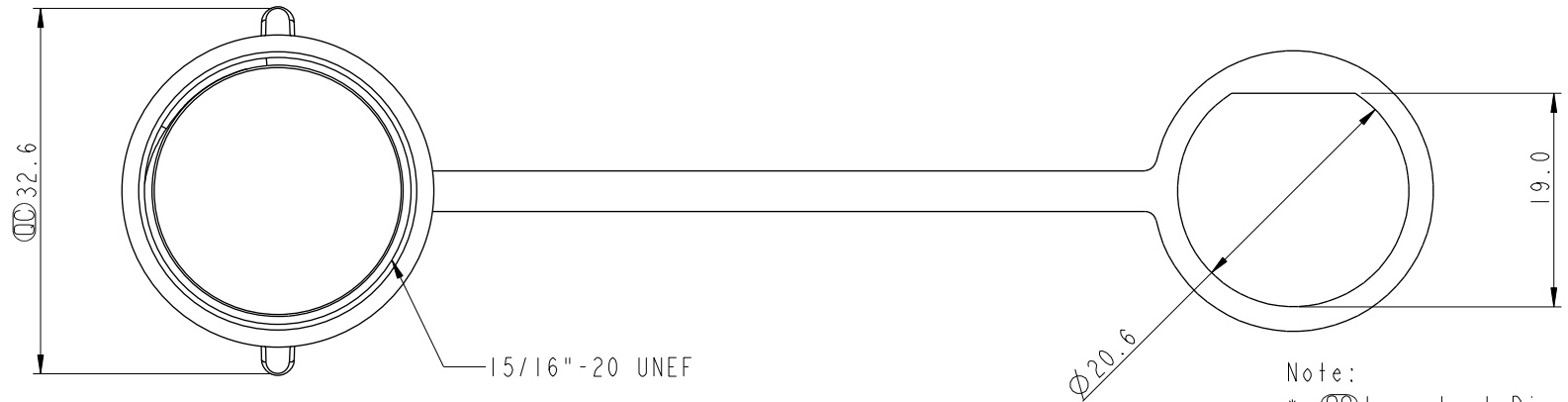
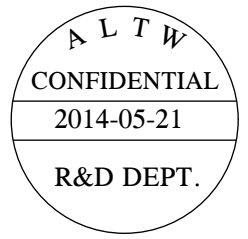
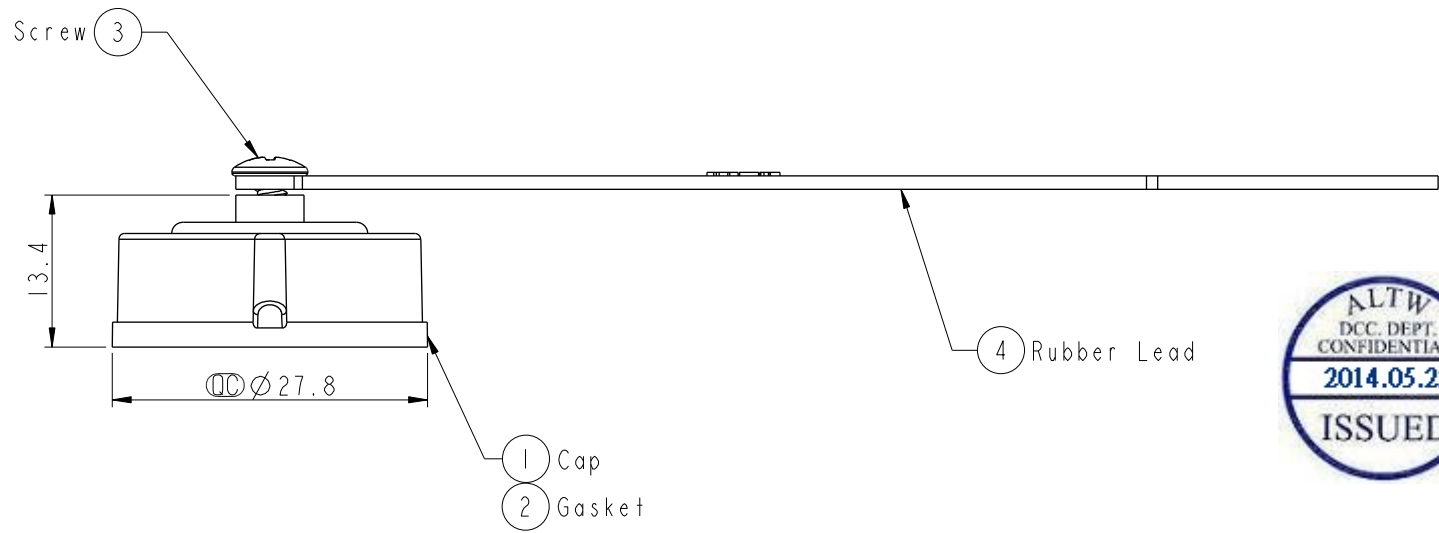
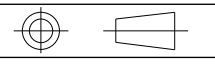


REV.	ECN NO.	DATE	SIGN	DESCRIPTION
A	Initial Release	2014/05/21	Vicky	Old Item No. CAP-WAFPMSCI



- Note:
- * CC Important Dimensions To Check.
 - * Waterproof Rate: IP67.
 - * Cap: ABS 94V-0, Black.
 - * Gasket: EPDM, Black.
 - * Screw: Stainless.
 - * Rubber Lead: TPU, Black.

UNIT:mm
TOLERANCE
 ± 0.5 mm



TITLE Waterproof Cap, RJ 15/16"-20 UNEF Screw M Conn			
SCALE 3:2	SIZE A4	SHEET 1 OF 1	
REV. A	WC-REV. A.1	CC : Inspection item	

Amphenol LTW
安費諾亮泰企業股份有限公司

ITEM NO CAP-WAFMSPCI	DRAWN BY Vicky	DATE 2014-05-21
DWG NO CAP-WAFMSPCI	CHECKED BY Sam	DATE 2014-05-21
CUSTOMER ALTW	APPROVED BY Rita	DATE 2014-05-21

THIS DOCUMENT IS SUBJECT TO CHANGE WITHOUT NOTICE. IT IS CONFIDENTIAL AND A PROPERTY OF AMPHENOL LTW. DISCLOSURE TO THIRD PARTY HAS TO BE AUTHORIZED BY AMPHENOL LTW.