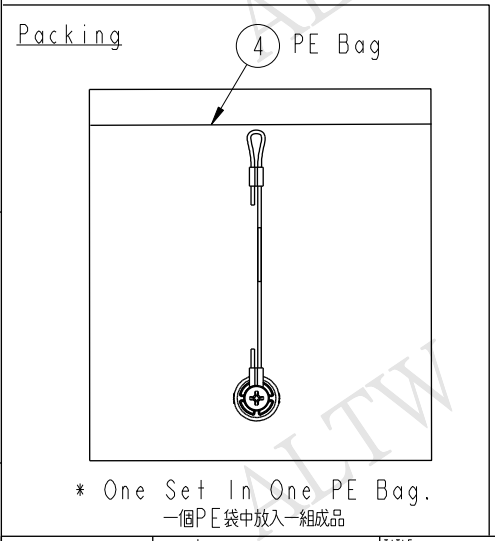
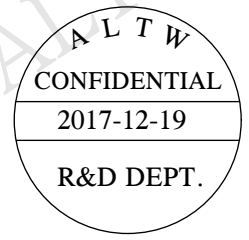
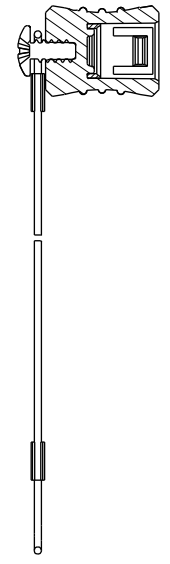
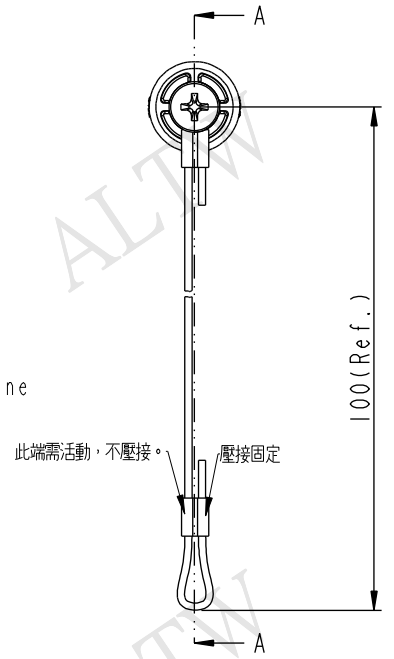
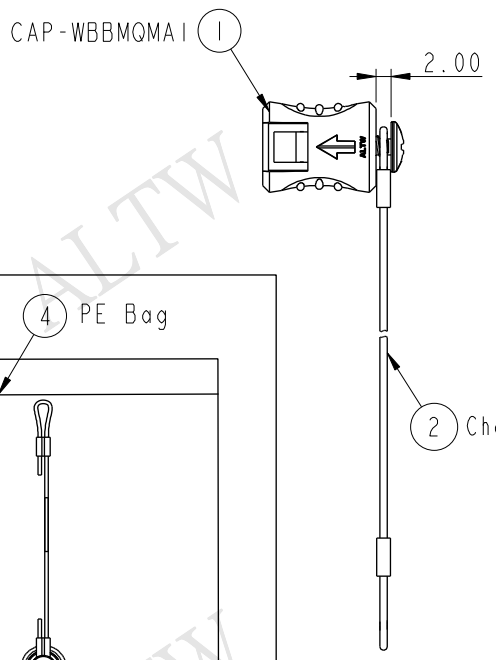
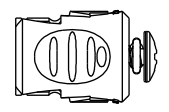


REV.	ECN NO.	DATE	SIGN	DESCRIPTION
A	*	2017/12/19	Neo	For MP



- Notes:
- * Important Dimensions.
 - * Waterproof Rate: IP68 (Mated, 1M/24Hours).
 - * Cap: Thermoplastic, Black.
 - * Gasket: Bubber, White.
 - * Screw: Stainless.
 - * Fish Line: Nylon.

UNIT: mm		TITLE WATERPROOF CAP			ITEM NO CAP-WBBMQMDI	DRAWN BY Neo	DATE 2017/12/19
		TOLERANCE .X ±0.25 .XX ±0.1 .XXX ±0.05 ANGLES ±1°	SCALE 1:1	SIZE A4	SHEET 1 OF 1	DWG NO CAP-WBBMQMDI	CHECKED BY Chingmei
		REV. A	WC-REV. .0	Inspection item	CUSTOMER ALTW	APPROVED BY Max	DATE 2017/12/19

Amphenol LTW
安費諾亮泰企業股份有限公司

THIS DOCUMENT IS SUBJECT TO CHANGE WITHOUT NOTICE. IT IS CONFIDENTIAL AND A PROPERTY OF AMPHENOL LTW. DISCLOSURE TO THIRD PARTY HAS TO BE AUTHORIZED BY AMPHENOL LTW.