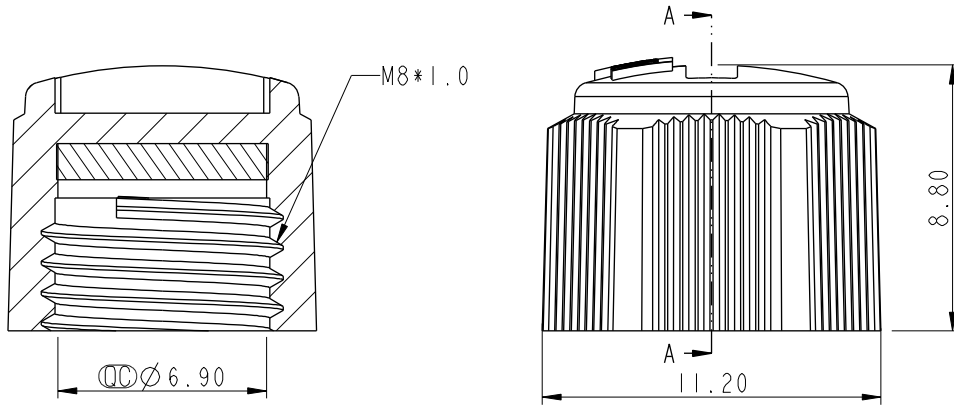
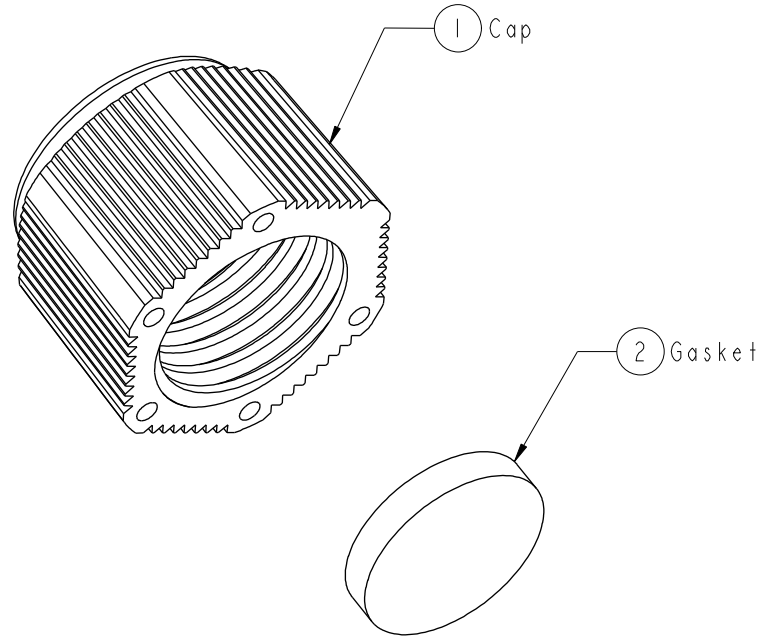
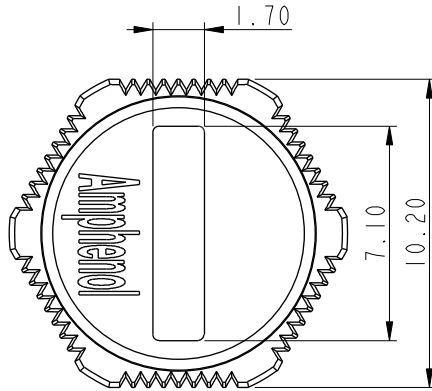
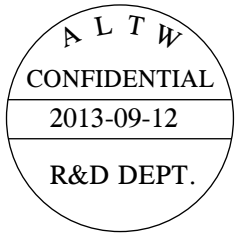


REV.	ECN NO.	DATE	SIGN	DESCRIPTION
A	Initial Release	2013-09-12	Vicky	Old Item No. CAP-WBBMSA1



Section A-A

- Note:
- \*  $\varnothing$  Important Dimension.
  - \* Waterproof Rate: IP67
  - \* Cap: PC+ABS, Black
  - \* Gasket: EPDM, Black

UNIT: mm		TITLE Waterproof Cap M8*1.0P For Male Conn Screw Type			<b>Amphenol LTW</b> 安費諾亮泰企業股份有限公司	ITEM NO	DRAWN BY	DATE
		TOLERANCE .X ±0.25 .XX ±0.1 .XXX ±0.05 ANGLES ±1°	SCALE 4:1	SIZE A4		SHEET 1 OF 1	CAP-WBBMSA1 Vicky 2013-09-12	
REV. A	WC-REV. A.1	$\varnothing$ : Inspection item			DWG NO	CHECKED BY	DATE	
					CUSTOMER ALTW	APPROVED BY Rita	DATE 2013-09-12	

THIS DOCUMENT IS SUBJECT TO CHANGE WITHOUT NOTICE. IT IS CONFIDENTIAL AND A PROPERTY OF Amphenol LTW. DISCLOSURE TO THIRD PARTY HAS TO BE AUTHORIZED BY Amphenol LTW.