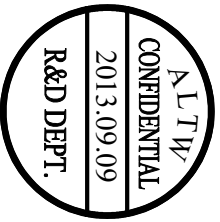
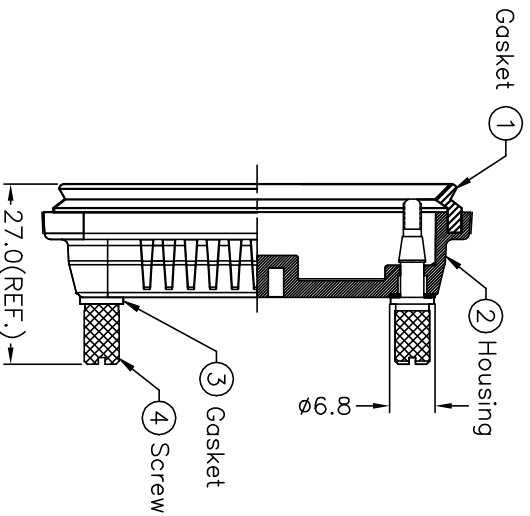
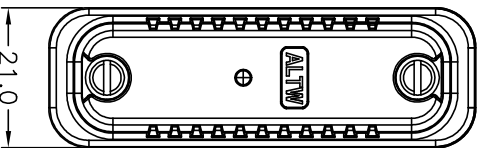
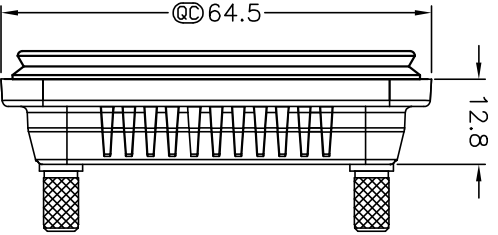
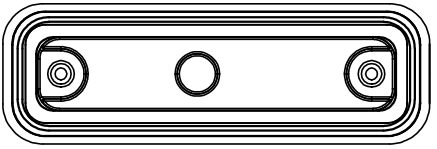


REV.	ECON NO.	DATE	SIGN.	DESCRIPTION
A	Initial Release	2013/09/09	Vicky	Old Item No. CAP-WD3PCSA1
B	C201127	2020/07/21	Ruru	△X3



△ Note:

- * @Important Dimension.
- * Waterproof Rate: IP67.
- * Housing: Thermoplastic, Black.
- * Gasket: Rubber, Black.
- * Screw: Copper Alloy, Nickel Plated.
- * Screw Torque: 2-4Kgf.cm

UNIT:mm		TITLE	ACC, DB, WP CAP SCREW, NONE				ITEM NO	CAP-WD3CSPA1	DRAWN BY	Vicky	DATE	2013/09/09
TOLERANCE		SCALE	Free	SIZE	A4	SHEET	1	CHECKED BY	Sam	DATE	2013/09/09	
±0.5 mm		REV.	B	SIZE	A4	①	inspection item	APPROVED BY	Rita	DATE	2013/09/09	
1			2		3		4		5		6	
			Amphenol LTW 安費諾亮泰企業股份有限公司				CUSTOMER	ALTW				
THIS DOCUMENT IS SUBJECT TO CHANGE WITHOUT NOTICE. IT IS CONFIDENTIAL AND A PROPERTY OF Amphenol LTW. DISCLOSURE TO THIRD PARTY HAS TO BE AUTHORIZED BY Amphenol LTW.												