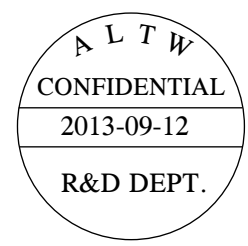
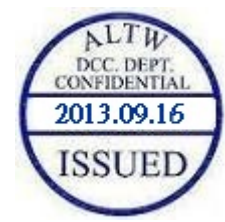
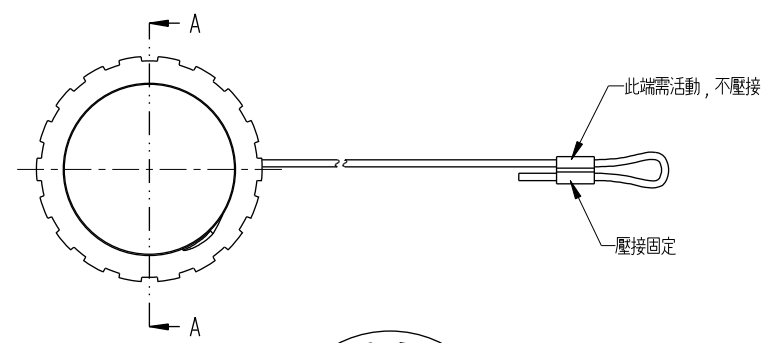
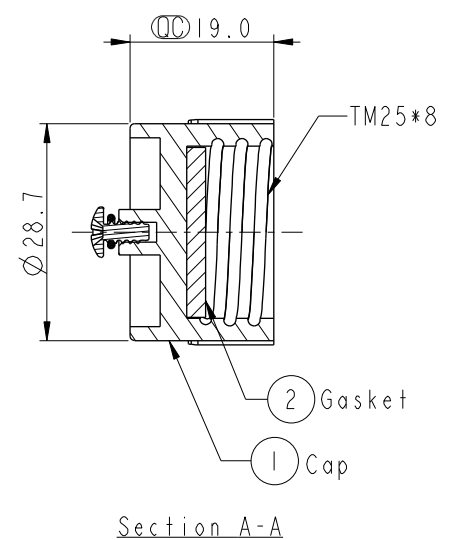
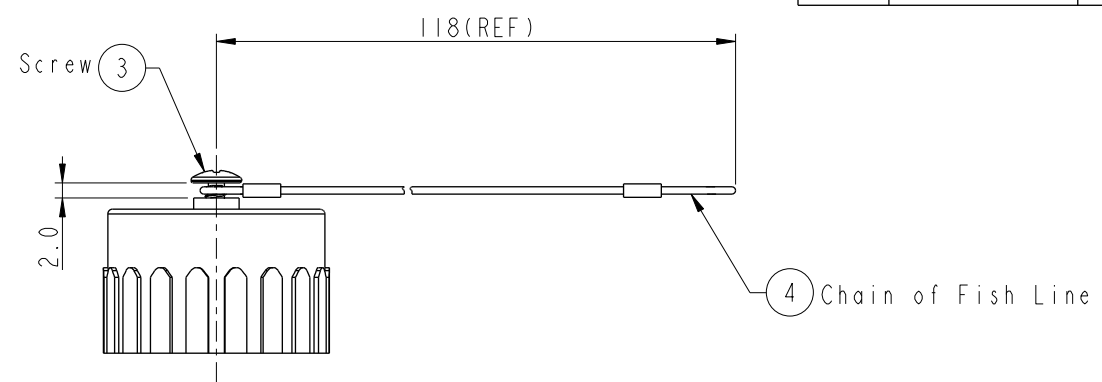


THIS DOCUMENT IS SUBJECT TO CHANGE WITHOUT NOTICE. IT IS CONFIDENTIAL AND A PROPERTY OF AMPHENOL LTW. DISCLOSURE TO THIRD PARTY HAS TO BE AUTHORIZED BY AMPHENOL LTW.

| REV. | ECN NO. | DATE | SIGN | DESCRIPTION |
|------|-----------------|------------|-------|---------------------------|
| A | Initial Release | 2013/09/12 | Vicky | Old Item No. CAP-WTAMMSDI |
| | | | | |



Note:

- * \varnothing Important Dimension.
- * Waterproof Rate: IP67
- * Cap: Nylon+GF, Black
- * Gasket: EPDM, Black
- * Fish Line: Nylon
- Part of Fish Line: Stainless
- * Screw is not allowed to tight (Chain be revolve)
- 不可將螺絲鎖緊，(鏈條要可旋轉)

| | | | | | | | | | | | |
|---|---|----------------|---------------------------------|--|---------|---------------------|--------------|-------------------------|--------------------------|--------------------|--------------------|
| A | UNIT: mm | | | TITLE Power Waterproof Cap TM25*8 For Male Conn Screw Type | | | Amphenol LTW | | ITEM NO. CAP-WTAMSPDI | DRAWN BY Vicky | DATE 2013-09-12 |
| | TOLERANCE .X ±0.25 .XX ±0.1 .XXX ±0.05 ANGLES ±1° | SCALE 1:1 | SIZE A4 | SHEET 1 | OF 1 | 安費諾亮泰企業股份有限公司 | | DWG NO. CAP-WTAMSPDI | CHECKED BY Sam | DATE 2013-09-12 | |
| | REV. A | WC-REV. A.1 | \varnothing : Inspection item | CUSTOMER ALTW | | APPROVED BY Rita | | DATE 2013-09-12 | 8 FMM10702-01-02A1 | | |