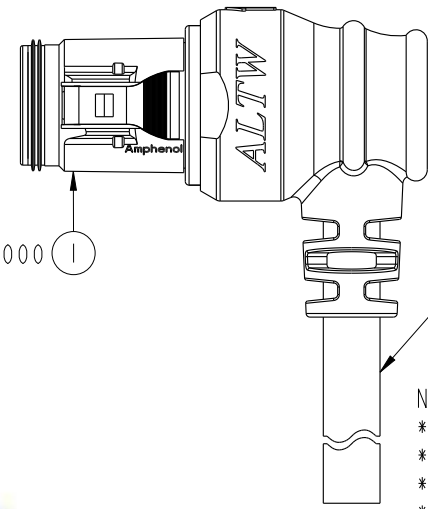
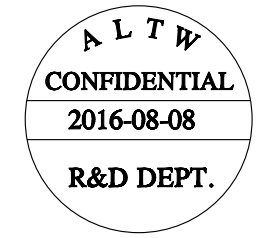
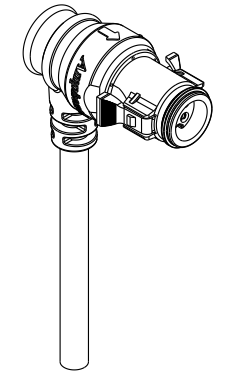
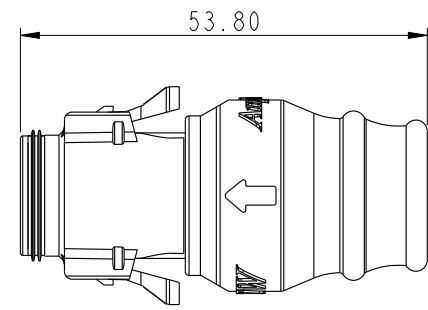
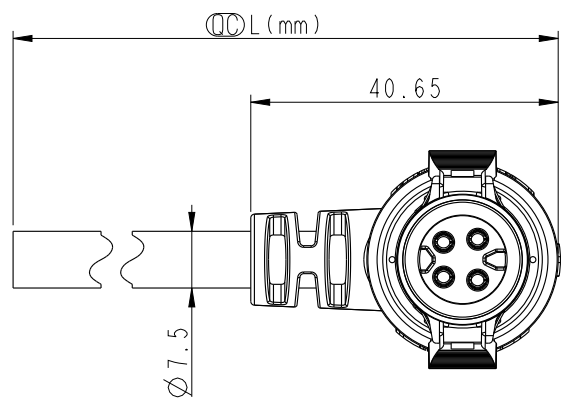


THIS DOCUMENT IS SUBJECT TO CHANGE WITHOUT NOTICE. IT IS CONFIDENTIAL AND A PROPERTY OF Amphenol LTW. DISCLOSURE TO THIRD PARTY HAS TO BE AUTHORIZED BY Amphenol LTW.

| REV. | ECN NO. | DATE | SIGN | DESCRIPTION |
|------|-----------------------------|------------|-------|----------------------------|
| B | LEN1580185~87 | 2015/08/10 | Lu Di | Change To Common Drawing |
| C | LEN1680346 LEN1680354-55 | 2016/08/08 | Mafei | Updated The Pin Out Color. |



CB-XXAMFM-RR7000
Color: Black



- Note:
- * \varnothing Important Dimension To Check.
 - * Waterproof Rate: IP67
 - * Housing: M-PPE , Black.
 - * Female Pin: Copper Alloy, Gold Plated.
 - * Gasket: Silicone, Gray.
 - * Cable: UL2464 16#, PVC Jacket, UV Resistant, Black.
 - * Cable Length Tolerance: 01M: ±40mm
02M~05M: ±60mm
06M~10M: ±100mm
11M~30M: ±200mm
31M~99M: ±500mm
- * Prohibiting the use of place in oils

| | |
|------------------|----------|
| CB-02AMFM-RR7AXX | Ø 7.8 |
| CB-03AMFM-RR7AXX | Ø 7.5 |
| CB-04AMFM-RR7AXX | Ø 7.5 |
| Part No. | Cable OD |

| | | | |
|---|---|----------------|---------------------------------|
| UNIT:mm TOLERANCE ± 0.5 | TITLE MLDDIE CABLE RBL M CONN F PIN | | |
| | SCALE 1:1 | SIZE A4 | SHEET 1 OF 2 |
| | REV. C | WC-REV. A.2 | \varnothing : Inspection item |

Amphenol LTW
安費諾亮泰企業股份有限公司

| | | |
|-----------------------------|----------------------|--------------------|
| ITEM NO. | DRAWN BY Mafei | DATE 2016/08/08 |
| DWG NO. CB-XXAMFM-RR7AXX | CHECKED BY Joyy | DATE 2016/08/08 |
| CUSTOMER ALTW | APPROVED BY Jerry | DATE 2016/08/08 |

THIS DOCUMENT IS SUBJECT TO CHANGE WITHOUT NOTICE. IT IS CONFIDENTIAL AND A PROPERTY OF AMPHENOL LTW. DISCLOSURE TO THIRD PARTY HAS TO BE AUTHORIZED BY AMPHENOL LTW.



CB-XXAMFM-RR7A XX

Middle Size Current Rating 10A

XX:No. Of Pin (Pin 數)

A:Cable With S/R (線端帶網尾)

M:Male Connector (公座)

F:Female Pin (母Pin)

M:Molding Type (射出成型)

XX:01~99Meter

01:01Meter

02:02Meter

...

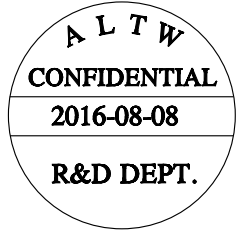
99:99Meter

A:UL 2464 Cable

7:IP67 (防水等級 67)

R:Right Angle (90°)

R:Snap In With Latch (彈臂卡合式)



| | | | |
|----------------------------|--------------------------------------|---|---|
| Pin Out | 4 -- 3 Red 紅 2 -- 1 Black 黑 | 4 Green 綠 3 White 白 2 -- 1 Black 黑 | 4 Orange 橙 3 Red 紅 2 Brown 棕 1 Black 黑 |
| Pin Assignments Front View | 2Pin | 3Pin | 4Pin |

| | | | | | | | |
|----------------------------------|---|----------------|--------------------------------------|-------------------|----------------------------|----------------------|--------------------|
| UNIT:mm TOLERANCE ±0.5 | TITLE MLDDIE CABLE RBL M CONN F PIN | | Amphenol LTW 安費諾亮泰企業股份有限公司 | ITEM NO | DRAWN BY Mafei | DATE 2016/08/08 | |
| | SCALE 1:1 | SIZE A4 | | SHEET 2 OF 2 | DWG NO CB-XXAMFM-RR7AXX | CHECKED BY Joyy | DATE 2016/08/08 |
| | REV. C | WC-REV. A.2 | | : Inspection item | CUSTOMER ALTW | APPROVED BY Jerry | DATE 2016/08/08 |