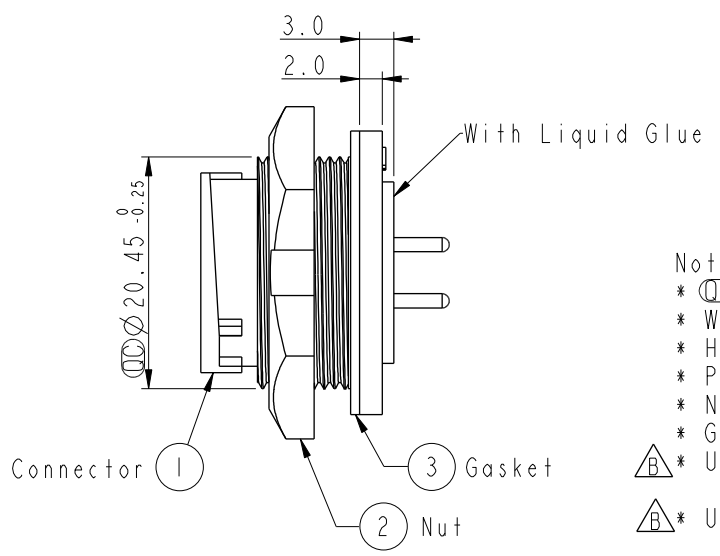
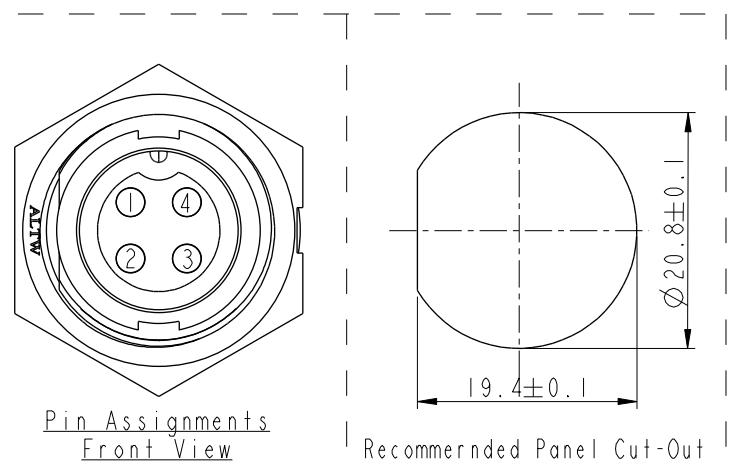
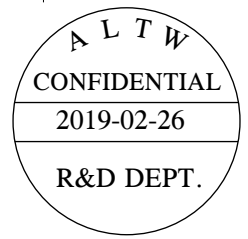
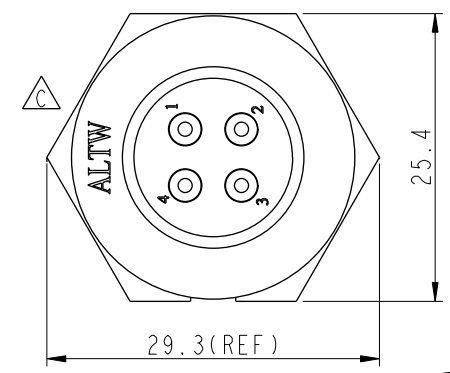
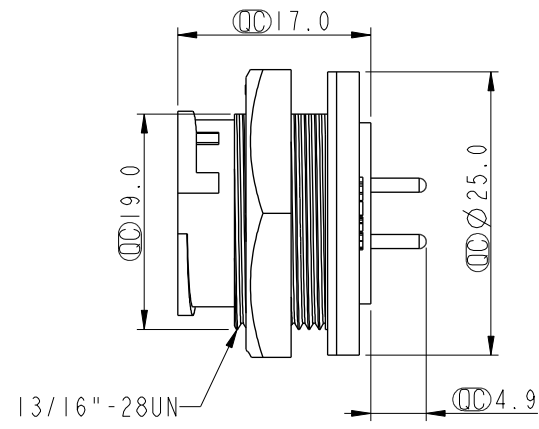
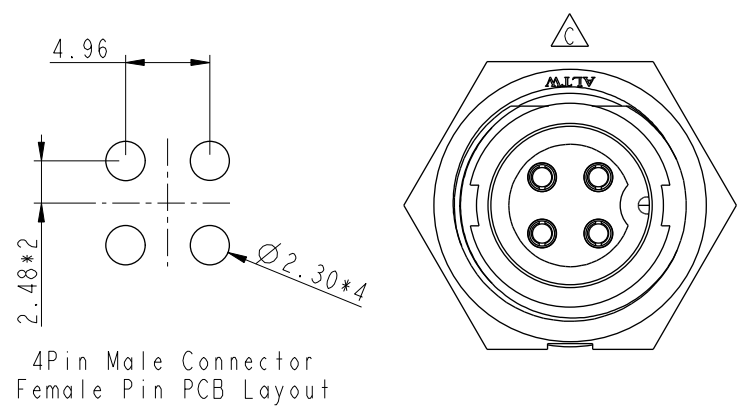


THIS DOCUMENT IS SUBJECT TO CHANGE WITHOUT NOTICE. IT IS CONFIDENTIAL AND A PROPERTY OF AMPHENOL LTW. DISCLOSURE TO THIRD PARTY HAS TO BE AUTHORIZED BY AMPHENOL LTW.

REV.	ECN NO.	DATE	SIGN	DESCRIPTION
B	LEN-8B0159	2008/09/25	Shin	Add Note
C	LEN1630476	2016/03/14	Ruru	Change Logo
D	CI90269	2019/02/26	Ruru	Modify Note



- Note: Δ
- * CC Important Dimension To Check.
 - * Waterproof Rate: IP67, Unmated
 - * Housing: Thermoplastic, Black
 - * Pin: Copper Alloy, Gold Plated
 - * Nut: Thermoplastic, Black
 - * Gasket: Rubber, Black
 - Δ * Use with waterproof cap or dust cap
Panel Thickness Max: 3.0mm
 - Δ * Use without waterproof cap or dust cap
Panel Thickness Max: 4.0mm
 - * Gasket and Nut are packed separately
in PE bags.

UNIT: mm		TITLE MIDDLE PANEL LOCK 4PIN M CONN F PIN			ITEM NO CB-04PMFP-LC7001	DRAWN BY Ruru	DATE 2019-02-26
		TOLERANCE .X ±0.25 .XX ±0.1 .XXX ±0.05 ANGLES ±1°	SCALE 1:1	SIZE A4	SHEET 1 OF 1	DWG NO CB-04PMFP-LC7001	CHECKED BY Rita
		REV. D	WC-REV. A.4	CC : Inspection item	CUSTOMER ALTW	APPROVED BY Max	DATE 2019-02-26

Amphenol LTW
安費諾亮泰企業股份有限公司