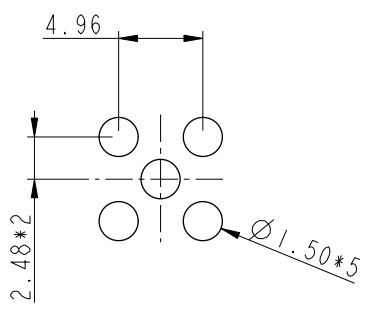


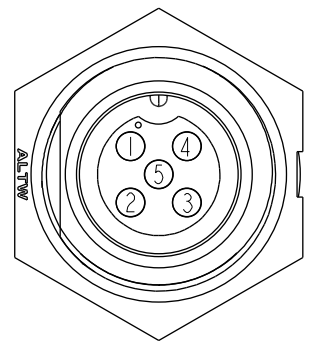
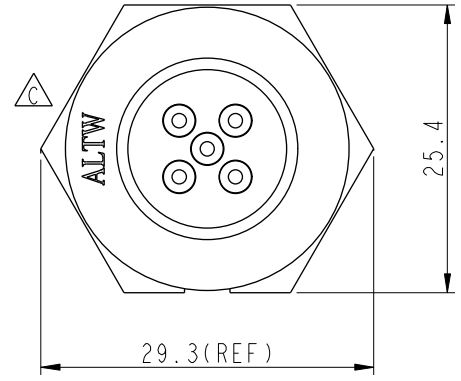
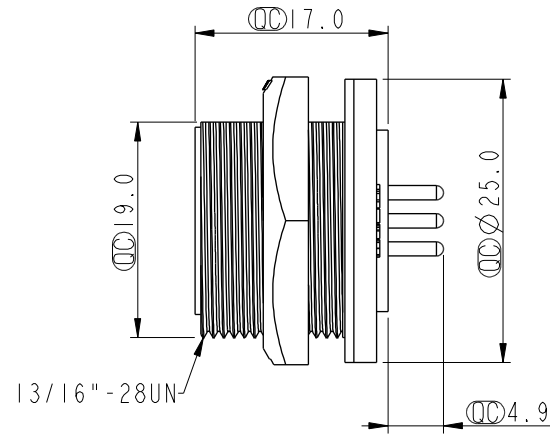
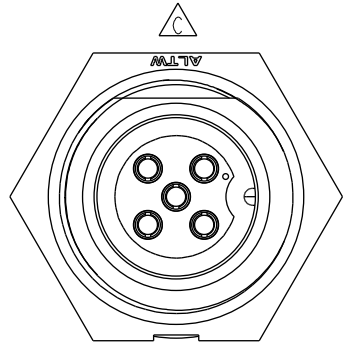
THIS DOCUMENT IS SUBJECT TO CHANGE WITHOUT NOTICE. IT IS CONFIDENTIAL AND A PROPERTY OF Amphenol LTW. DISCLOSURE TO THIRD PARTY HAS TO BE AUTHORIZED BY Amphenol LTW.

| REV. | ECN NO. | DATE | SIGN | DESCRIPTION |
|------|------------|------------|------|-------------|
| B | LEN-8B0202 | 2008/09/25 | Shin | Add Note |
| C | LEN1630446 | 2016/03/11 | Ruru | Change Logo |
| D | CI90269 | 2019/02/26 | Ruru | Modify Note |

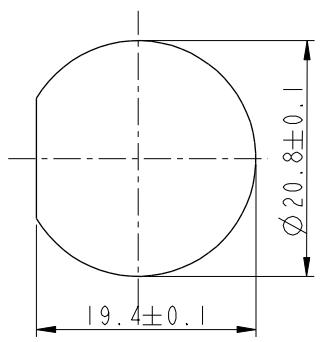
ALTW
CONFIDENTIAL
 2019-02-26
R&D DEPT.



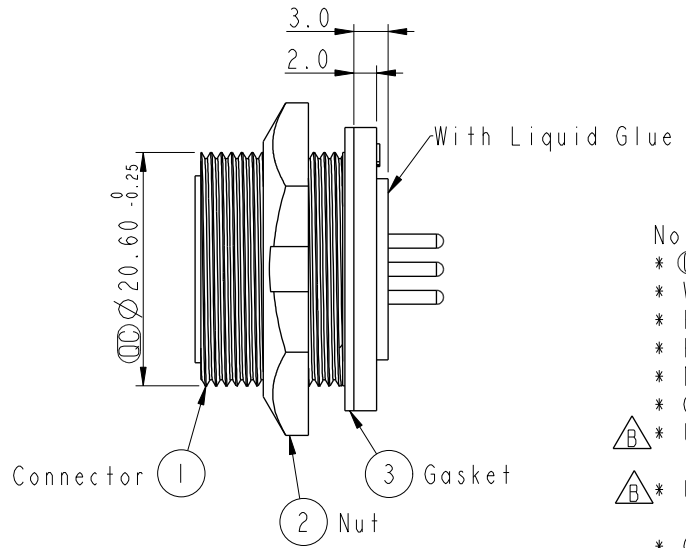
5 Pin Male Connector
Female Pin PCB Layout



Pin Assignments
Front View



Recommended Panel Cut-Out



- Note:
- * Important Dimension To Check.
 - * Waterproof Rate: IP67, Unmated
 - * Housing: Thermoplastic, Black
 - * Pin: Copper Alloy, Gold Plated
 - * Nut: Thermoplastic, Black
 - * Gasket: Rubber, Black
 - * Use with waterproof cap or dust cap
Panel Thickness Max: 2.0mm
 - * Use without waterproof cap or dust cap
Panel Thickness Max: 3.0mm
 - * Gasket and Nut are packed separately in PE bags.

| | | |
|-----------|--------|-------|
| UNIT: mm | | |
| TOLERANCE | .X | ±0.25 |
| | .XX | ±0.1 |
| | .XXX | ±0.05 |
| | ANGLES | ±1° |

| | | | |
|--|---------|-----------------|----|
| TITLE MIDDLE PANEL SCREW 5PIN M CONN F PIN | | | |
| SCALE | SIZE | SHEET | OF |
| I:1 | A4 | 1 | 1 |
| REV. | WC-REV. | Inspection item | |
| D | A.2 | | |

Amphenol LTW
安費諾亮泰企業股份有限公司

| | | | | | |
|----------|------------------|-------------|------|------|------------|
| ITEM NO. | CB-05PMFP-SC7001 | DRAWN BY | Ruru | DATE | 2019-02-26 |
| DWG NO. | CB-05PMFP-SC7001 | CHECKED BY | Rita | DATE | 2019-02-26 |
| CUSTOMER | ALTW | APPROVED BY | Max | DATE | 2019-02-26 |