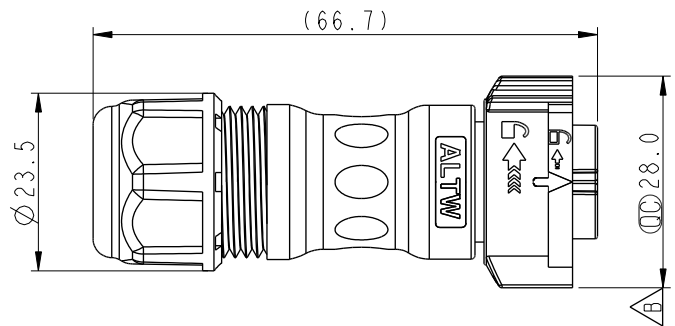
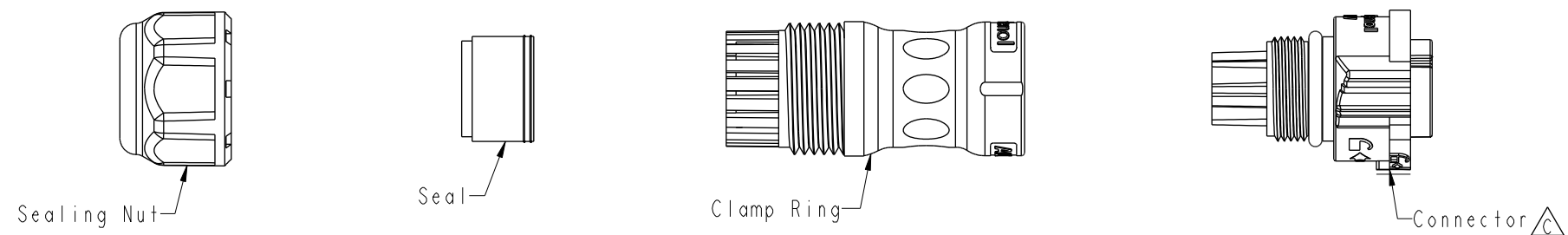


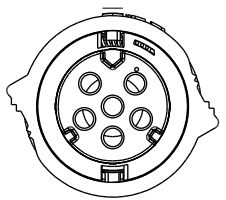
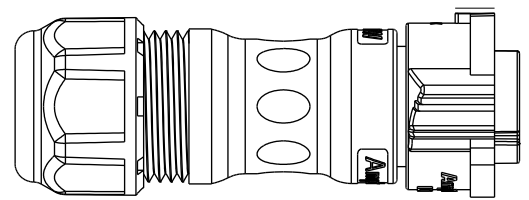
THIS DOCUMENT IS SUBJECT TO CHANGE WITHOUT NOTICE. IT IS CONFIDENTIAL AND A PROPERTY OF AMPHENOL LTW. DISCLOSURE TO THIRD PARTY HAS TO BE AUTHORIZED BY AMPHENOL LTW.

| REV. | ECN NO. | DATE | SIGN | DESCRIPTION |
|------|---------|------------|-------|------------------|
| B | E191825 | 2019/11/04 | Ruru | $\triangle B$ X4 |
| C | C220628 | 2022/05/06 | Vicky | $\triangle C$ X3 |



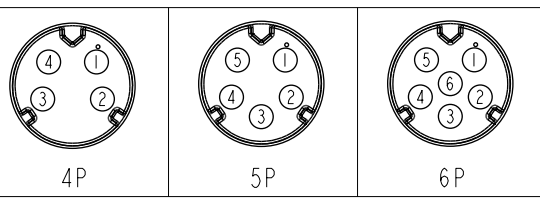
$\triangle C$ CB-XXBFFA-QL8XN0
 XX: No. Of Pin

- S: With Red Color Seal 1, Cable OD 6.0~8.0mm
- M: With Yellow Color Seal 2, Cable OD 8.0~10.0mm
- L: With Blue Color Seal 3, Cable OD 10.0~12.0mm
- A: With Seal 1 & Seal 2 & Seal 3



$\triangle B$ $\triangle C$

- Note:
- * RoHS Compliant
 - * ϕ Important dimension
 - * Waterproof rate: IPX8, mated 1m/24h
 - * Connector
 - Housing: Thermoplastic, Black
 - Nut: Thermoplastic, Black
 - O-Ring: Rubber, Dark gray
 - * Clamp Ring: Thermoplastic, Black
 - * Sealing Nut: Thermoplastic, Black
 - * Seal: Rubber



Pin Assignments Front View

| | | | |
|-----------|--------------|---------|---|
| UNIT:mm | | TITLE | XLOK, C-10A, CABLE W/O SR F, F, FI CRIMP, XLOK |
| TOLERANCE | ± 0.5 mm | SCALE | 1:1 |
| | | SIZE | A4 |
| | | SHEET | 1 OF 1 |
| | | REV. | C |
| | | WC-REV. | A.1 |
| | | ϕ | Inspection item |

Amphenol LTW
 安費諾亮泰企業股份有限公司

| | | |
|--------------------------------|-------------|------------|
| ITEM NO | DRAWN BY | DATE |
| | Ruru | 2019-11-04 |
| DWG NO | CHECKED BY | DATE |
| $\triangle B$ CB-XXBFFA-QL8XN0 | Rita | 2019-11-04 |
| CUSTOMER | APPROVED BY | DATE |
| ALTM | Max | 2019-11-04 |