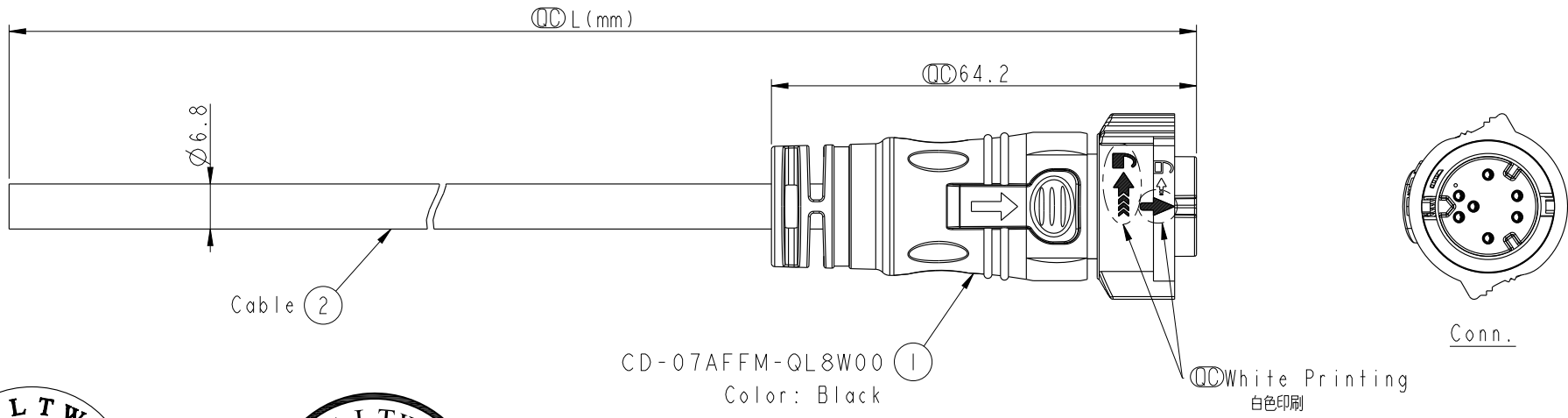
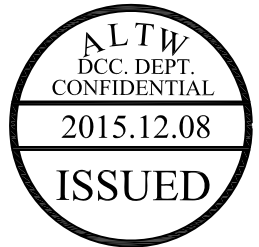
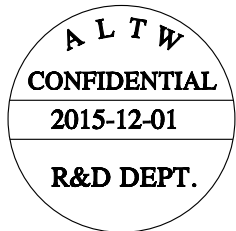


REV.	ECN NO.	DATE	SIGN	DESCRIPTION
B	LEN15C0087	2015-12-01	Spring	update the Pin out

THIS DOCUMENT IS SUBJECT TO CHANGE WITHOUT NOTICE. IT IS CONFIDENTIAL AND A PROPERTY OF AMPHENOL LTW. DISCLOSURE TO THIRD PARTY HAS TO BE AUTHORIZED BY AMPHENOL LTW.

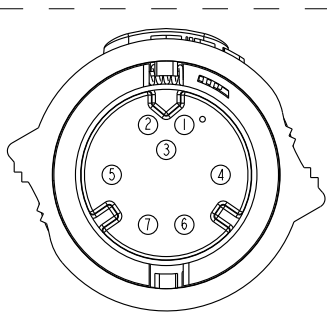


CD-07AFFM-QL8W00  
Color: Black



- Note:
- \*  $\varnothing$  Important Dimension To Check.
  - \* Working Voltage Rating: AC 300 V
  - \* Working Current Rating: 5A
  - \* Waterproof Rate: IP68(Mated).  
(in 1 meter water within 24 hours)
  - \* Housing: Nylon+GF, Black.
  - \* Female Pin: Copper Alloy, Gold Plated
  - \* Cable: UL21388 20AWG\*7C+AL/PET Tape  
Black,PVC Jacket UV Resistant, OD=6.8
  - \* Cable Length Tolerance: 01M:±40mm  
02M~05M:±60mm  
06M~10M:±100mm  
11M~30M:±200mm  
31M~99M:±500mm

CD-07AFFM-QL8DXX  
 XX : 01~99Meters  
 01 : 01Meter  
 02 : 02Meters  
 :  
 :  
 99 : 99Meters



Pin Assignments  
Front View

7	Orange	橙	
6	Blue	藍	
5	Green	綠	△
4	Yellow	黃	
3	Black	黑	
2	Red	紅	
1	Brown	棕	△
Conn.	Wire Color		
	Pin Out		

UNIT:mm	
TOLERANCE	±0.5

TITLE X Lok C-Size Cable 7 Pin 5A F Conn. F Pin			
SCALE	SIZE	SHEET	OF
1:1	A4	1	1
REV.	WC-REV.	$\varnothing$ : Inspection item	
B	A.2		

**Amphenol LTW**  
安費諾亮泰企業股份有限公司

ITEM NO	DRAWN BY	DATE
	Spring	2015-12-01
DWG NO	CHECKED BY	DATE
CD-07AFFM-QL8DXX	Fisher	2015-12-01
CUSTOMER	APPROVED BY	DATE
ALTW	Kevin	2015-12-01