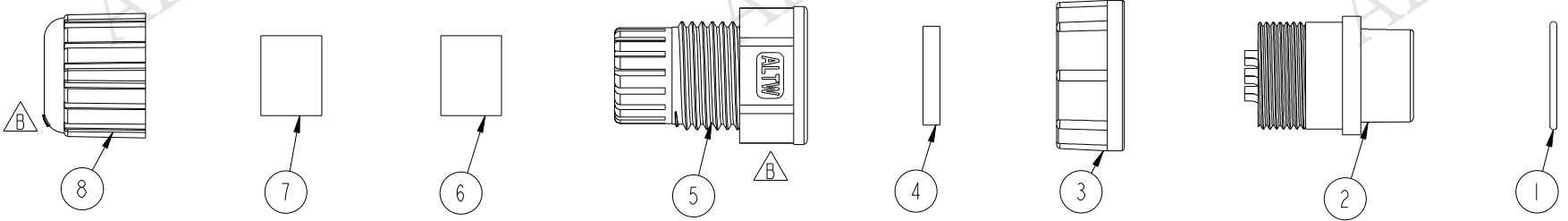
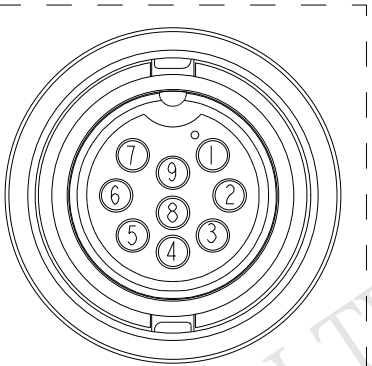
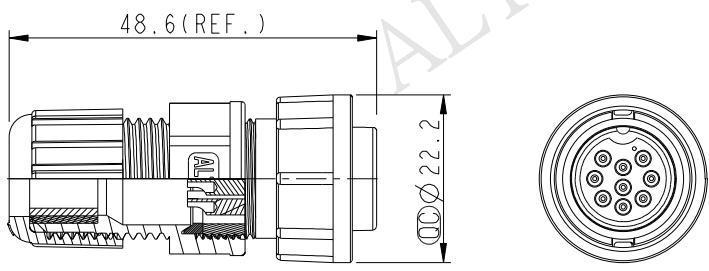


REV.	ECN NO.	DATE	SIGN	DESCRIPTION
B	LEN1490382	2014/09/20	Lu Di	Change Logo

THIS DOCUMENT IS SUBJECT TO CHANGE WITHOUT NOTICE. IT IS CONFIDENTIAL AND A PROPERTY OF AMPHENOL LTW. DISCLOSURE TO THIRD PARTY HAS TO BE AUTHORIZED BY AMPHENOL LTW.



**ALTW**  
 CONFIDENTIAL  
 2014-09-20  
 R&D DEPT.



Pin Assignments  
Front View

**ALTW**  
 DCC. DEPT.  
 CONFIDENTIAL  
 2014.09.24  
 ISSUED

- Note:
- \* (C) Important Dimensions To Check.
  - \* Waterproof Rate: IP67
  - \* Housing: Nylon+GF, Black
  - \* Male Pin: Copper Alloy, Gold Plated
  - \* O-Ring: EPDM, Black
  - \* Lock Nut: Nylon+GF, Black
  - \* Gasket: EPDM, Black
  - \* Clamp Ring: Nylon, Black
  - \* Sealing Nut: Nylon, Black
  - \* Seals B1 for Cable OD:  $\varnothing 7.6\text{mm} \sim \varnothing 9.6\text{mm}$
  - \* Seals B2 for Cable OD:  $\varnothing 4.0\text{mm} \sim \varnothing 7.6\text{mm}$
  - \* One Set Unassembled in One PE Bag.

UNIT:mm   TOLERANCE .X $\pm 0.25$ .XX $\pm 0.1$ .XXX $\pm 0.05$ ANGLES $\pm 1^\circ$	TITLE Middle, Assy Lock 9Pin F Conn. M Pin			<b>Amphenol LTW</b> 安費諾亮泰企業股份有限公司		ITEM NO CD-09BFMA-LL7001	DRAWN BY Lu Di	DATE 2014/09/20
	SCALE 1:1	SIZE A4	SHEET 1 OF 1	DWG NO CD-09BFMA-LL7001	CHECKED BY Mafei	DATE 2014/09/20		
	REV. B	WC-REV. A.2	(C): Inspection item	CUSTOMER ALTW	APPROVED BY Jerry	DATE 2014/09/20		