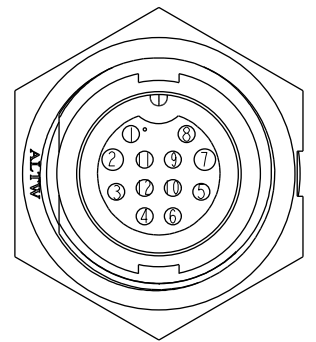
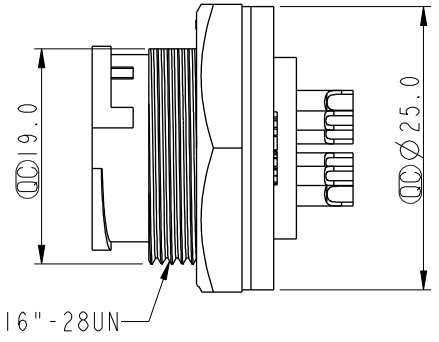


THIS DOCUMENT IS SUBJECT TO CHANGE WITHOUT NOTICE. IT IS CONFIDENTIAL AND A PROPERTY OF Amphenol LTW. DISCLOSURE TO THIRD PARTY HAS TO BE AUTHORIZED BY Amphenol LTW.

REV.	ECN NO.	DATE	SIGN	DESCRIPTION
D	LEN1220016	2012/02/06	Vicky	Modify Note.
E	LEN1630474	2016/03/14	Ruru	Change Logo
F	CI90310	2019/03/08	Ruru	Modify Note

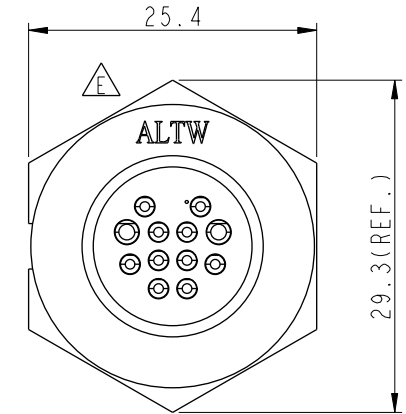
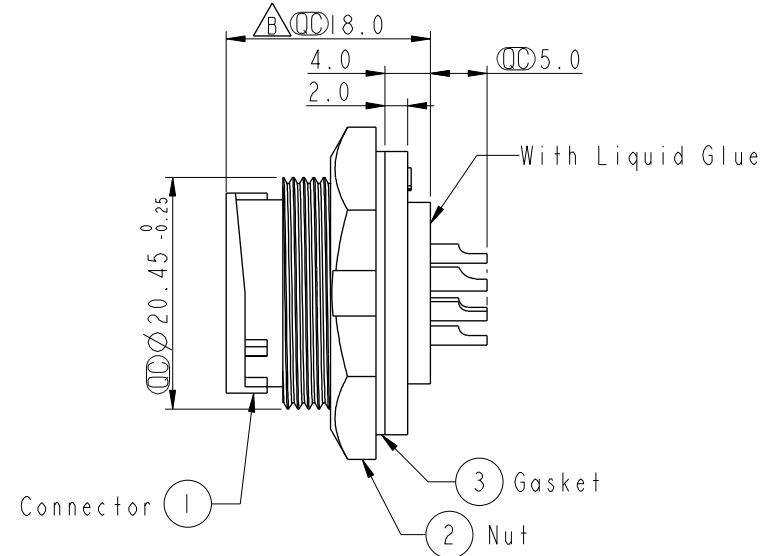
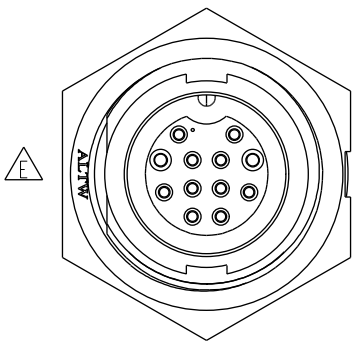


Pin Assignments  
Front View 前視圖



- Note:  $\triangle$
- \*  $\text{CC}$  Important Dimension.
  - \* Waterproof Rate: IP67, Unmated
  - \* Housing: Thermoplastic, Black
  - $\triangle$  \* Pin: Copper Alloy, Gold Plated
  - \* Nut: Thermoplastic, Black
  - \* Gasket: Rubber, Black
  - $\triangle$  \* Use with waterproof cap or dust cap  
Maximum Panel Thickness: 3.0mm
  - $\triangle$  \* Use without waterproof cap or dust cap  
Maximum Panel Thickness: 4.0mm
  - \* Gasket and Nut are packed separately in PE bags.

**ALTW**  
 CONFIDENTIAL  
 2019-03-08  
 R&D DEPT.



UNIT: mm	$\text{CC}$	$\text{CC}$
TOLERANCE		
.X	$\pm 0.25$	
.XX	$\pm 0.1$	
.XXX	$\pm 0.05$	
ANGLES	$\pm 1^\circ$	

TITLE 12Pin Male Connector Female Pin(5A&2A)			
SCALE 1:1	SIZE A4	SHEET 1 OF 1	
REV. F	WC-REV. A.3	$\text{CC}$ : Inspection item	

**Amphenol LTW**  
 安費諾亮泰企業股份有限公司

ITEM NO. CDU-12PMFS-LC7001	DRAWN BY Ruru	DATE 2019-03-08
DWG NO. CDU-12PMFS-LC7001	CHECKED BY Rita	DATE 2019-03-08
CUSTOMER ALTW	APPROVED BY Max	DATE 2019-03-08