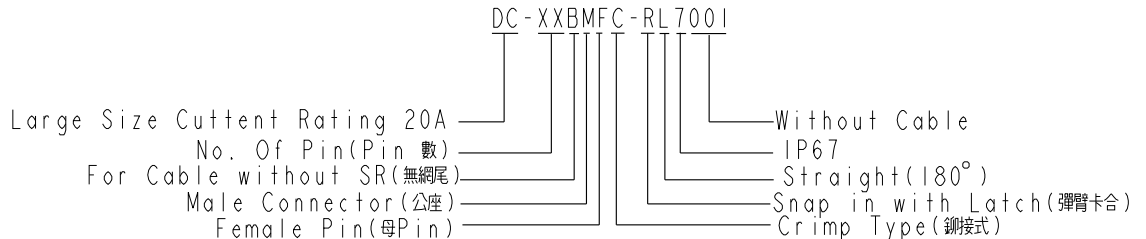
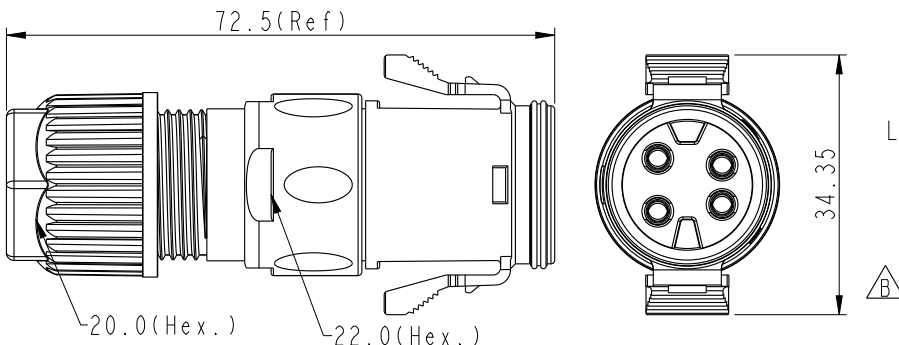
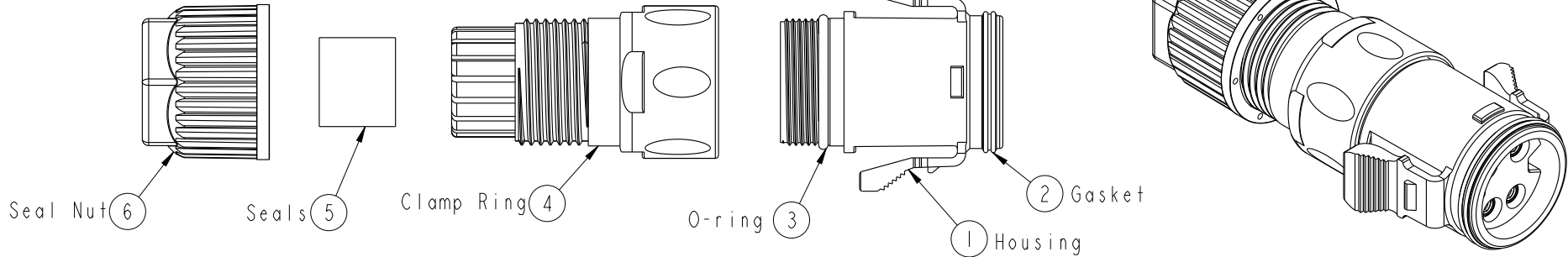
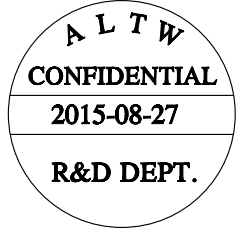
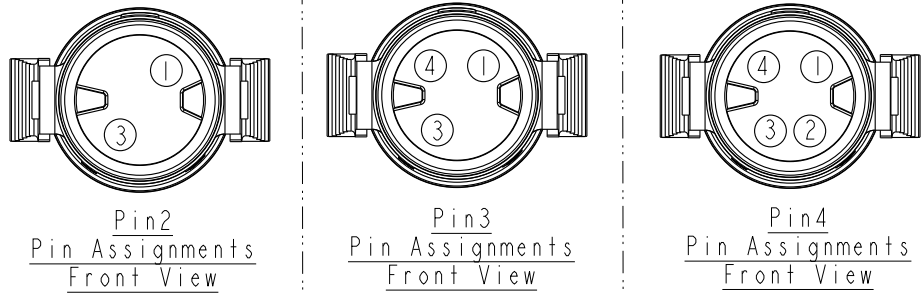


THIS DOCUMENT IS SUBJECT TO CHANGE WITHOUT NOTICE. IT IS CONFIDENTIAL AND A PROPERTY OF AMPHENOL LTW. DISCLOSURE TO THIRD PARTY HAS TO BE AUTHORIZED BY AMPHENOL LTW.

REV.	ECN NO.	DATE	SIGN	DESCRIPTION
A	Initial Release	2015/07/16	Mafei	Change Rev.01 To Rev.A
B	LEN1590204~206	2015/08/27	Mafei	Adding Key Point.



- Note:
- \*  $\text{⌀}$  Important Dimension To Check.
  - \* Waterproof Rate: IP67 (Mating)
  - \* Housing: M-PPE, Black, UL94 V-0, UL746C fl
  - \* Conductor Current Rating: Max.20A Depends On Wire
  - \* O-Ring: Silicone, Gray, UL94 V-0
  - \* Seals: Silicone, Gray, UL94 V-0
  - \* Clamp Ring: Nylon, Black, UL94 V-0, UL746C fl
  - \* Sealing Nut: Nylon, Black, UL94 V-0, UL746C fl
  - \* Seal For Cable OD:  $\text{⌀}9.0\text{mm} \sim \text{⌀}11.0\text{mm}$
  - \* Prohibiting the use of place in oils.
  - \* Clamp Ring Recommended Tightening Torque: 4~7 Kgf.cm(0.4~0.7 N.m)
  - \* Sealing Nut Recommended Tightening Torque: 8~15 Kgf.cm(0.8~1.5 N.m)



UNIT: mm		TITLE ASSY RBL M CONN F PIN			ITEM NO	DRAWN BY Mafei	DATE 2015/08/27
		TOLERANCE .X ±0.25 .XX ±0.1 .XXX ±0.05 ANGLES ±1°	SCALE 1:1	SIZE A4	SHEET 1 OF 2	DWG NO DC-XXBMFC-RL7001	CHECKED BY Arthur
		REV. B	WC-REV. A.2	QC: Inspection item	CUSTOMER ALTW	APPROVED BY Jerry	DATE 2015/08/27

**Amphenol LTW**  
安費諾亮泰企業股份有限公司

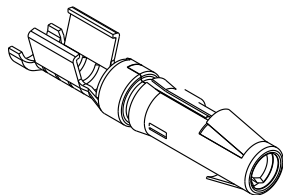
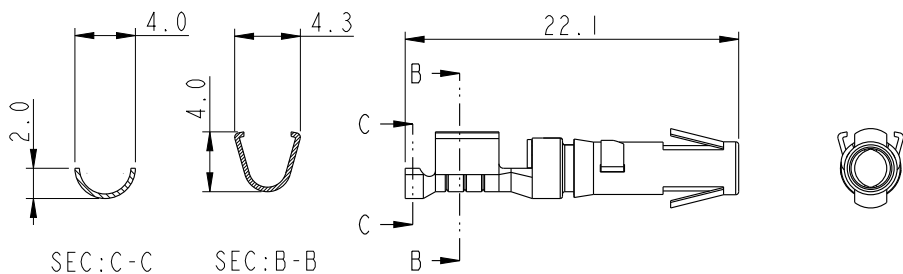
THIS DOCUMENT IS SUBJECT TO CHANGE WITHOUT NOTICE. IT IS CONFIDENTIAL AND A PROPERTY OF Amphenol LTW. DISCLOSURE TO THIRD PARTY HAS TO BE AUTHORIZED BY Amphenol LTW.

REV.	ECN NO.	DATE	SIGN	DESCRIPTION

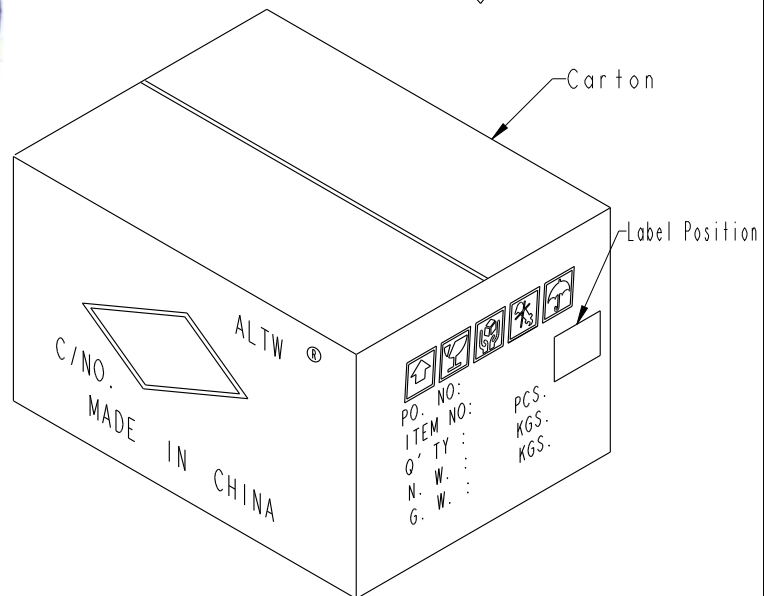
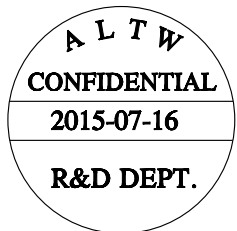
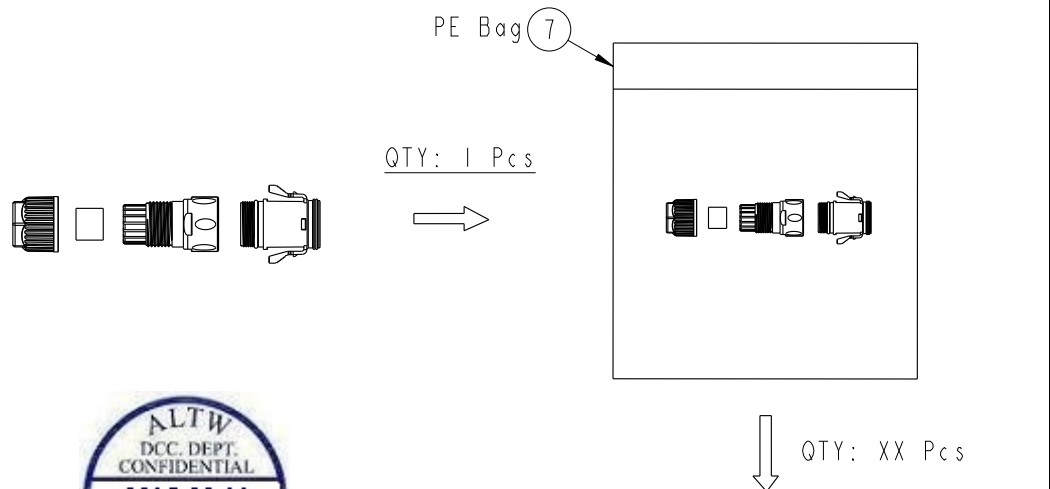
Optional Part: Terminal  
P/N: SAF12C-XXG03

- 01: 1000Pcs/Reel
- 02: 500 Pcs Loose
- 03: 100 Pcs Loose

Contact Material: Copper Alloy, Gold Plated  
Current Rating: 20A.  
Wire Range: 12#~14#



Note:  
\* One Set Unassembled In One PE Bag.  
(每一組未組裝，放置於一個PE袋，並封口)



UNIT: mm		
TOLERANCE	.X ±0.25	
.XX ±0.1		
.XXX ±0.05		
ANGLES	±1°	

TITLE ASSY RBL M CONN F PIN			
SCALE 1:1	SIZE A4	SHEET 2 OF 2	
REV. B	WC-REV. A.2	QC: Inspection item	

**Amphenol LTW**  
安費諾亮泰企業股份有限公司

ITEM NO.	DRAWN BY Mafei	DATE 2015/08/27
DWG NO. DC-XXBMFC-RL7001	CHECKED BY Arthur	DATE 2015/08/27
CUSTOMER ALTW	APPROVED BY Jerry	DATE 2015/08/27