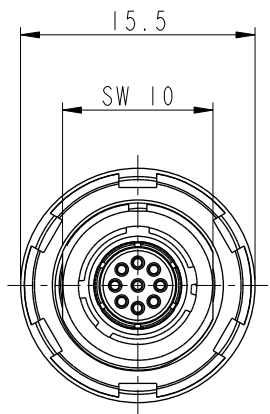
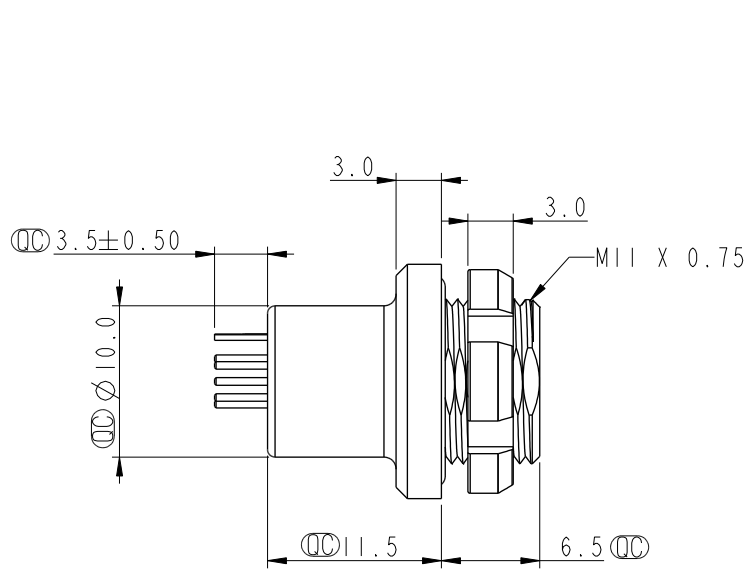
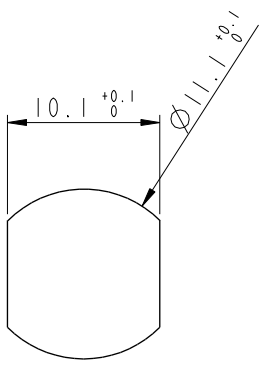
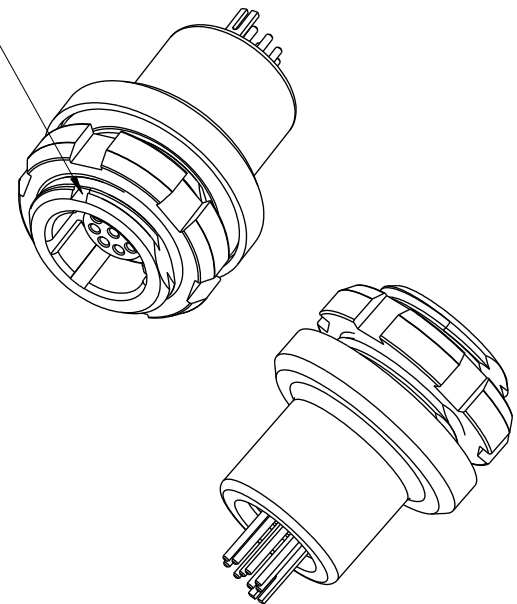


REV.	ECN NO.	DATE	SIGN	DESCRIPTION
A		2021/04/28	Vincent Huang	Rev.01 to A.



KEYING INDICATION
(Brown)



Recommended Panel Cut-Out

- Note:
- * RoHS Compliant
 - * CC Important Dimension
 - * Waterproof Rate: IPX8, Mated 1m/2h.
 - * Connector
 - Housing: Thermoplastic, Natural.
 - Pin: Copper Alloy, Gold Plated
 - O-Ring: Rubber, Black.
 - * Shield: Metal.
 - * Nut: Metal.
 - * O-Ring: Rubber, Black.
 - * For Panel Thickness Max 3.0mm.
 - * Recommend pcb thickness: 2.0mm.
 - * O-Ring and nut are assembled on connectors.

UNIT:mm			TITLE FLOS, DY-SER, SZ 0, 09P, PANEL F S/NUT, F, PCB S, 5KEY BR
TOLERANCE .X ±0.25 .XX ±0.1 .XXX ±0.05 ANGLES ±1	SCALE 2:1	SIZE A4	SHEET 1 OF 2
REV. A	WC-REV. .0	CC : Inspection item	

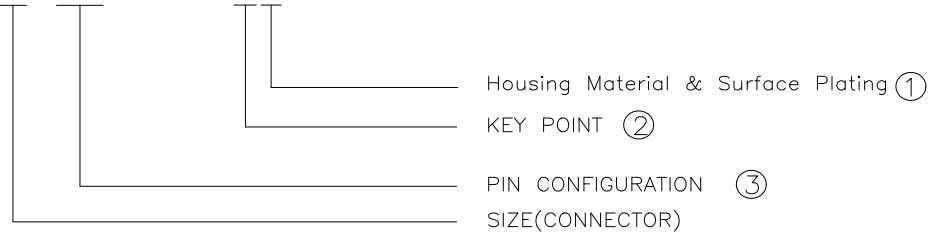
Amphenol LTW
安費諾亮泰企業股份有限公司

ITEM NO FDYB-XXEFP-RDK-001	DRAWN BY Vincent Huang	DATE 2020/08/18
DWG NO FDYB-XXEFP-RDK-001	CHECKED BY Aric Ko	DATE 2020/08/18
CUSTOMER ALTW	APPROVED BY Max Yang	DATE 2020/08/18

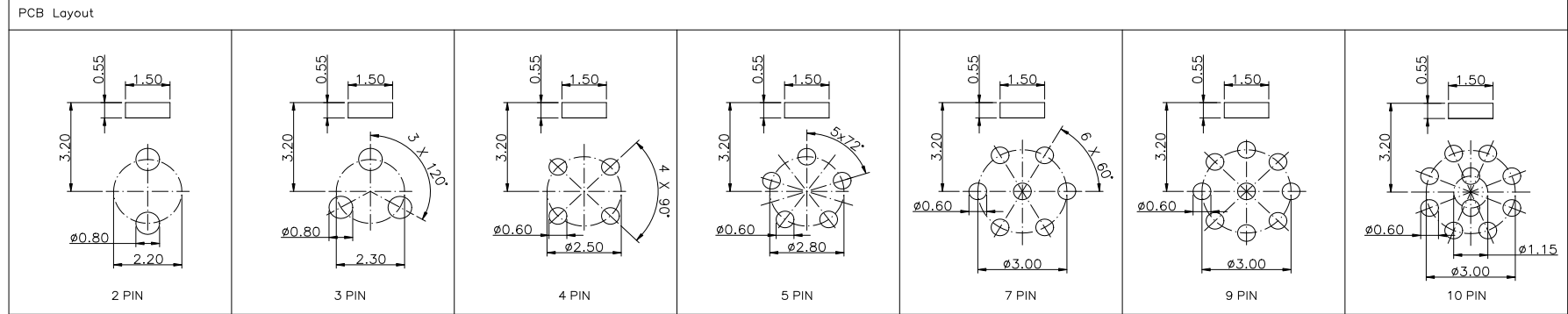
THIS DOCUMENT IS SUBJECT TO CHANGE WITHOUT NOTICE. IT IS CONFIDENTIAL AND A PROPERTY OF Amphenol LTW. DISCLOSURE TO THIRD PARTY HAS TO BE AUTHORIZED BY Amphenol LTW.

THIS DOCUMENT IS SUBJECT TO CHANGE WITHOUT NOTICE. IT IS CONFIDENTIAL AND A PROPERTY OF Amphenol LTW. DISCLOSURE TO THIRD PARTY HAS TO BE AUTHORIZED BY Amphenol LTW.

FDYB-XXEFP-RDK-001



Code ①	Housing Material & Surface Plating	Code ②	Key Point				
	D		R (Brown)				
	AL ALLOY/BK Cr	Graphic					
Code ③	Pin Configuration (Solder Definition)						
Graphic							
	2 PIN	3 PIN	4 PIN	5 PIN	7 PIN	9 PIN	10 PIN



UNIT:mm		
TOLERANCE	±0.25	±0.1
.X	±0.1	
.XX	±0.05	
.XXX	±1	
ANGLES	±1	

TITLE FLOS, DY-SER, SZ 0, 09P, PANEL F S/NUT, F, PCB S, 5KEY BR			
SCALE 1:1	SIZE A4	SHEET 2 OF 2	
REV. A	WC-REV. .0	QC: Inspection item	

Amphenol LTW
安費諾亮泰企業股份有限公司

ITEM NO FDYB-XXEFP-RDK-001	DRAWN BY Vincent Huang	DATE 2020/08/18
DWG NO FDYB-XXEFP-RDK-001	CHECKED BY Aric Ko	DATE 2020/08/18
CUSTOMER ALTW	APPROVED BY Max Yang	DATE 2020/08/18

DATE 2020/08/18
DATE 2020/08/18
DATE 2020/08/18