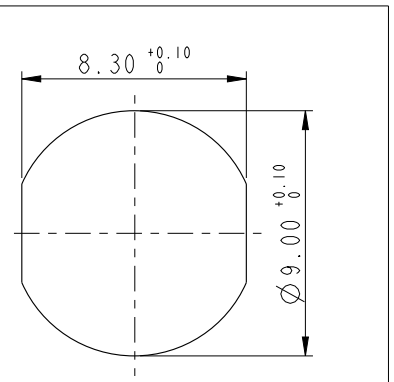
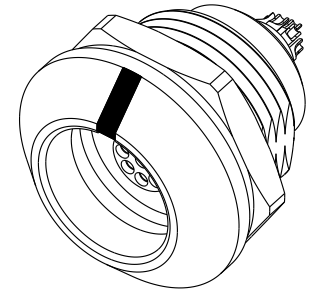
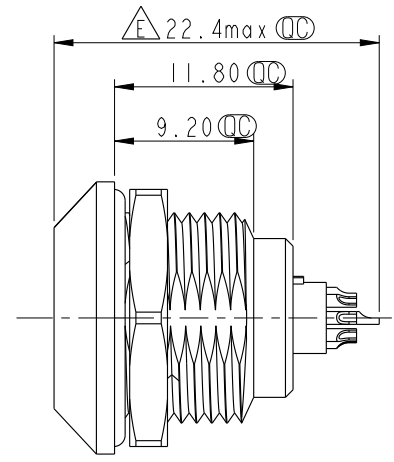
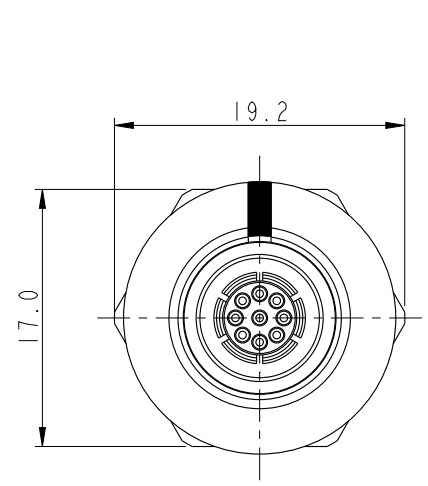
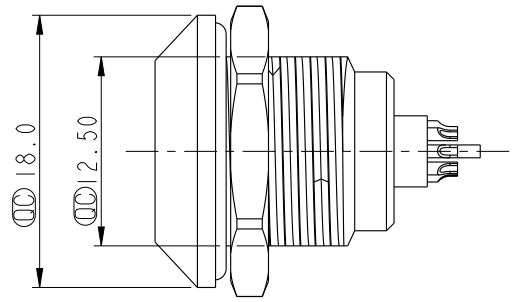


THIS DOCUMENT IS SUBJECT TO CHANGE WITHOUT NOTICE. IT IS CONFIDENTIAL AND A PROPERTY OF Amphenol LTW. DISCLOSURE TO THIRD PARTY HAS TO BE AUTHORIZED BY Amphenol LTW.

REV.	ECN NO.	DATE	SIGN	DESCRIPTION
C	C211511	2021-10-09	Ouyang	$\triangle C$ x2
D	C220064	2022-01-13	Ouyang	$\triangle D$ x1
E	C220669	2022-05-05	Ouyang	$\triangle E$ x1



Recommended
Panel Cut-Out
Rear View



- Note:
- * RoHS Compliant
 - * CC Important Dimension
 - * Waterproof Rate: IPX8, Unmated 1m/24h
 - * Connector $\triangle D$
 - Housing: Thermoplastic, Ecru
 - Pin: Copper Alloy, Gold Plated
 - internal O-Ring: Rubber, Black.
 - Outer O-Ring: Rubber, Red
 - * Shield: Metal
 - * Nut: Metal
 - * Use with waterproof cap or dust cap
Panel thickness Max: 3.0mm
 - * Use without waterproof cap or dust cap
Panel thickness max: 6.0mm
 - * O-Ring and nut are assembled on connectors

UNIT: mm		
TOLERANCE	$\pm 0.5\text{mm}$	

TITLE FLO OK PANEL CONNECTOR			
SCALE 1:1	SIZE A4	SHEET 1 OF 2	
REV. E	WC-REV. .0	CC : Inspection item	

Amphenol LTW
安費諾亮泰企業股份有限公司

ITEM NO. $\triangle B$	DRAWN BY Ouyang	DATE 2021-09-10
DWG NO. FLKB-XXEGFS-XCP-XXX	CHECKED BY Jerry	DATE 2021-09-10
CUSTOMER ALTW	APPROVED BY Fred	DATE 2021-09-10

THIS DOCUMENT IS SUBJECT TO CHANGE WITHOUT NOTICE. IT IS CONFIDENTIAL AND A PROPERTY OF Amphenol LTW. DISCLOSURE TO THIRD PARTY HAS TO BE AUTHORIZED BY Amphenol LTW.



FLKB - XXEGFS - XCP - XXX

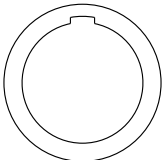
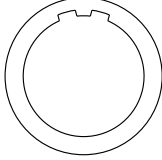
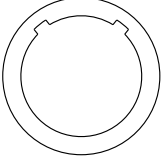
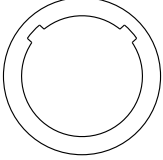
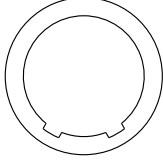
SERIAL NO.

KEY POINT ①

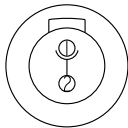
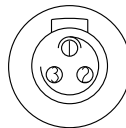
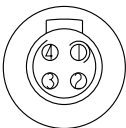
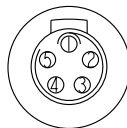
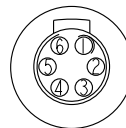
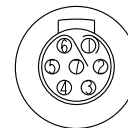
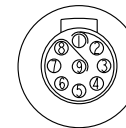
PIN CONFIGURATION ②

SIZE (CONNECTOR)

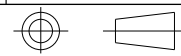
KEY POINT ①

CODE	G	A	B	C	D
GRAPHIC	0° 	30° 	45° 	60° 	95° 

PIN CONFIGURATION (Solder Definition) ②

GRAPHIC	 2 PIN	 3 PIN	 4 PIN	 5 PIN	 6 PIN	 7 PIN	 9 PIN
---------	--	--	--	--	--	--	--

UNIT: mm




TOLERANCE

±0.5mm

TITLE FLO OK PANEL CONNECTOR			
SCALE 1:1	SIZE A4	SHEET 2 OF 2	
REV. E	WC-REV. .0	QC: Inspection item	

Amphenol LTW
安費諾亮泰企業股份有限公司

ITEM NO. FLKB-XXEGFS-XCP-XXX	
DWG NO. FLKB-XXEGFS-XCP-XXX	CUSTOMER ALTW

DRAWN BY Ouyang	CHECKED BY Jerry
APPROVED BY Fred	

DATE 2021-09-10
DATE 2021-09-10
DATE 2021-09-10