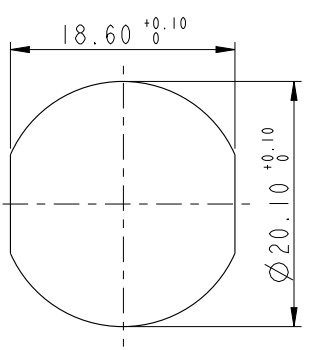
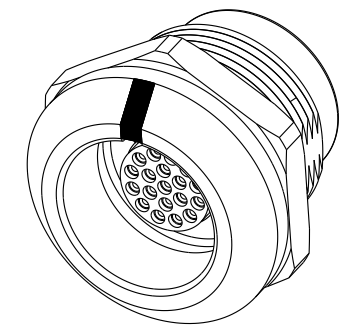
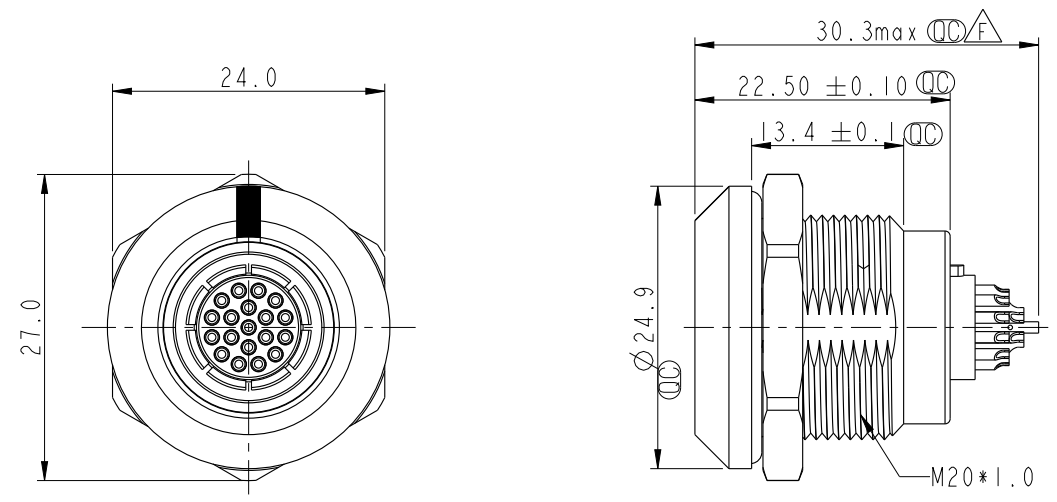


THIS DOCUMENT IS SUBJECT TO CHANGE WITHOUT NOTICE. IT IS CONFIDENTIAL AND A PROPERTY OF Amphenol LTW. DISCLOSURE TO THIRD PARTY HAS TO BE AUTHORIZED BY Amphenol LTW.

REV.	ECN NO.	DATE	SIGN	DESCRIPTION
D	C211511	2021-10-09	Ouyang	x2
E	C220064	2022-01-13	Ouyang	XI
F	C220669	2022-05-05	Ouyang	XI



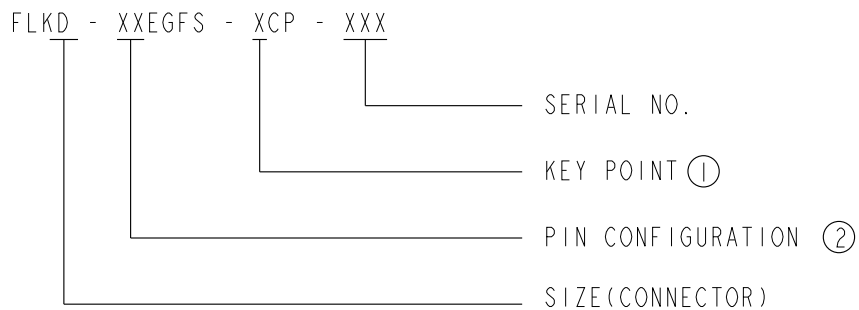
Recommended
Panel Cut-Out
Rear View

- Note:
- * RoHS Compliant
 - * Important Dimension
 - * Waterproof Rate: IPX8, Unmated 1m/24h
 - * Connector
 - Housing: Thermoplastic, Ecrú
 - Pin: Copper Alloy, Gold Plated
 - internal O-Ring: Rubber, Red.
 - Outer O-Ring: Rubber, Black.
 - * Shield: Metal
 - * Nut: Metal
 - * Use with waterproof cap or dust cap
Panel thickness Max: 5.0mm
 - * Use without waterproof cap or dust cap
Panel thickness max: 9.0mm
 - * O-Ring and nut are assembled on connectors

UNIT: mm TOLERANCE ±0.5mm	TITLE FLO 2K PANEL CONNECTOR			ITEM NO.		DRAWN BY Ouyang		DATE 2019-04-26				
	SCALE 1:1			SIZE A4		SHEET 1 OF 2		CHECKED BY Jerry		DATE 2019-04-26		
	REV. F			WC-REV. .0		: Inspection item		CUSTOMER ALTW		APPROVED BY Fred		DATE 2019-04-26

Amphenol LTW
安費諾亮泰企業股份有限公司

THIS DOCUMENT IS SUBJECT TO CHANGE WITHOUT NOTICE. IT IS CONFIDENTIAL AND A PROPERTY OF Amphenol LTW. DISCLOSURE TO THIRD PARTY HAS TO BE AUTHORIZED BY Amphenol LTW.



KEY POINT

CODE ①	G	A	B	C	D
	0°	30°	45°	60°	95°
GRAPHIC					

PIN CONFIGURATION (Solder Definition) ②



GRAPHIC							
	2 PIN	3 PIN	4 PIN	5 PIN	6 PIN	7 PIN	
	8 PIN	10 PIN	12 PIN	14 PIN	16 PIN	18 PIN	19 PIN

UNIT: mm TOLERANCE ±0.5mm	TITLE FLO 2K PANEL CONNECTOR		<h1>Amphenol LTW</h1> <p>安費諾亮泰企業股份有限公司</p>	ITEM NO.	DRAWN BY	DATE	
	SCALE 1:1	SIZE A4		SHEET 2 OF 2	DWG NO. FLKD-XXEGFS-XCP-XXX	CHECKED BY Jerry	DATE 2019-04-26
	REV. F	WC-REV. .0		QC: Inspection item	CUSTOMER ALTW	APPROVED BY Fred	DATE 2019-04-26