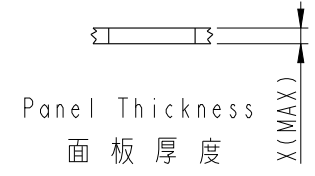
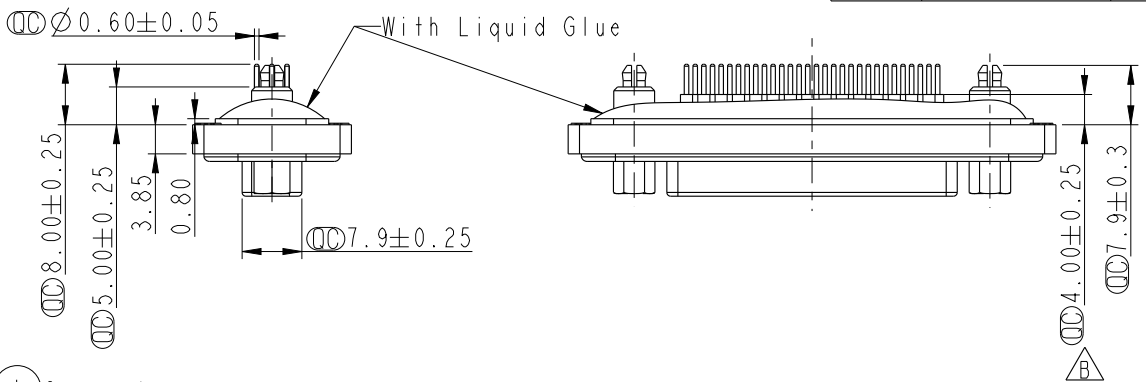


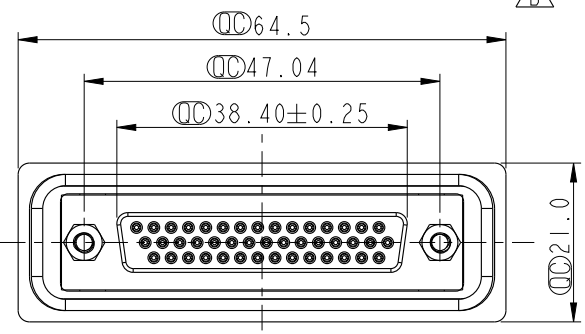
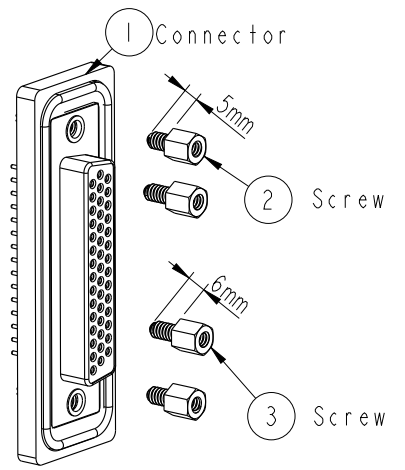
REV.	ECN NO.	DATE	SIGN	DESCRIPTION
B	CI92019	2019-11-18	Fu	△*1

THIS DOCUMENT IS SUBJECT TO CHANGE WITHOUT NOTICE. IT IS CONFIDENTIAL AND A PROPERTY OF Amphenol LTW. DISCLOSURE TO THIRD PARTY HAS TO BE AUTHORIZED BY Amphenol LTW.



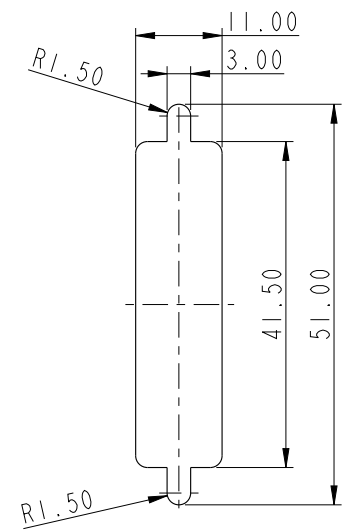
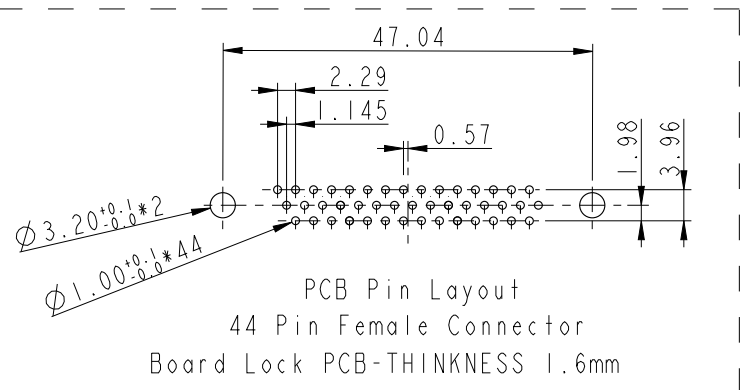
Screw L=5.0 For Panel Thickness Under 1.2mm
適用板厚為 1.2mm以下

Screw L=6.0 For Panel Thickness Between 1.2~2.0mm
適用板厚為 1.2~2.0mm



ALTW
CONFIDENTIAL
2019-11-18
R&D DEPT.

- Note:
- * \varnothing Important Dimension.
 - * Waterproof Rate : IP68
IP68:1M of depth of water 24 hours
(防水等級: IP68)
(1米水深24小時)
 - * Do Mating Test After Glued
點膠後, 須作對插測試
 - * HD-SUB Conn. : Black Core , PBT
 - * Plastic Jacket : Black , Nylon+GF
 - * Pin : Copper Alloy , Gold Plated
 - * Ring : Light Blue, Silicone
 - * Screw : Copper Alloy, Nickel Plated, #4-40 UNC
 - * The 180° Board Lock Needs To Connect The Iron Shell
180° 型支架需接鐵殼



Recommended Panel Cut-Out
建議控孔尺寸

UNIT: mm		TITLE HD-SUB Connector 44Pin Female For Panel, PCB 180° Board Lock			Amphenol LTW 安費諾亮泰企業股份有限公司	ITEM NO	HDB-44PFFP-SA8001	DRAWN BY	DEL_SamChang	DATE	2012-10-22
		TOLERANCE .X ±0.25 .XX ±0.1 .XXX ±0.05 ANGLES ±1°	SCALE 1:1	SIZE A4		SHEET 1 OF 1	DWG NO	HDB-44PFFP-SA8001	CHECKED BY	Jeffrey	DATE
		REV.	B	WC-REV.	A.3	CUSTOMER	ALTW	APPROVED BY	Maslow	DATE	2012-10-22