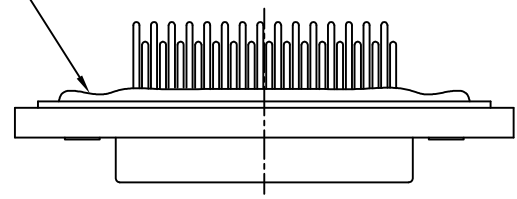
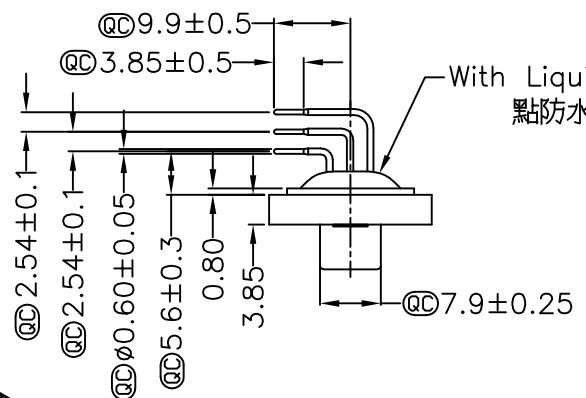


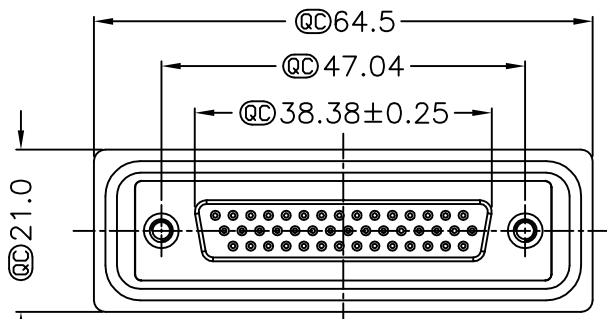
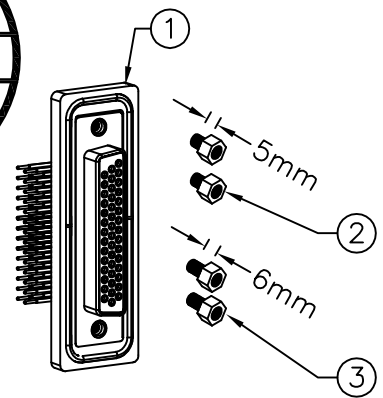
5	6	7	8
REV.	ECN NO.	DATE	SIGN
			DESCRIPTION



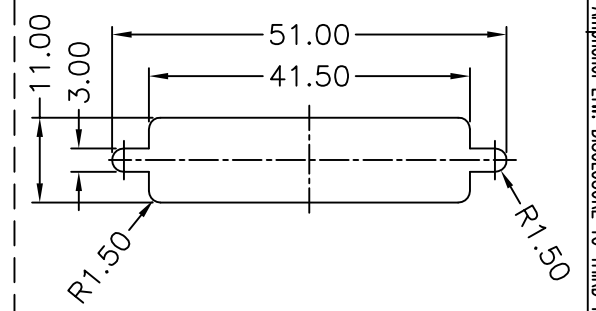
Screw L=5.0 For Panel Thickness Under 1.2mm  
適用板厚為 1.2mm 以下

Screw L=6.0 For Panel Thickness Between 1.2~2.0mm  
適用板厚為 1.2~2.0mm

ALTW  
CONFIDENTIAL  
2006.12.11  
R&D DEPT.

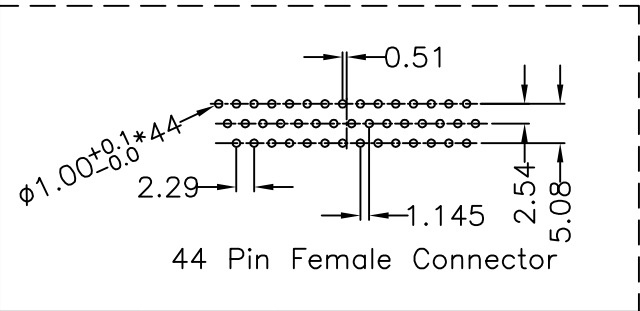


- Note:
- \* @C Important Dimension.
  - \* Waterproof Rate : IP68  
IP68:1M of depth of water 24 hours  
( 防水等級 IP68 )  
( IP68:1 米水深 24 小時 )
  - \* Do Mating Test After Glued  
點膠後, 須作對插測試
  - \* HD-SUB Conn. : Black Core, PBT
  - \* Plastic Jacket : Black, Nylon+GF
  - \* Pin : Copper Alloy , Gold Plated
  - \* Ring : Light Blue, Silicone
  - \* Screw : Copper Alloy Nickel Plated, #4-40 UNC



Recommended Panel Cut-Out  
建議挖孔尺寸

ALTW  
DCC. DEPT.  
CONFIDENTIAL  
2007.01.22  
ISSUED



UNIT:mm		TITLE D-SUB Conn. Panel Screw HD44P F Conn. F Pin
TOLERANCE .X ±0.25 .XX ±0.1 .XXX ±0.05 ANGLES ±1°	SCALE Free	SHEET 1 OF 1
REV. A	SIZE A4	@C : Inspection Item

**Amphenol LTW**  
安費諾亮泰企業股份有限公司

ITEM NO HDB-44PFFP-SR8001	DRAWN BY DongYaLi	DATE 2006/12/11
DWG NO HDB-44PFFP-SR8001	CHECKED BY Simon	DATE 2006/12/16
CUSTOMER ALTW	APPROVED BY Max	DATE 2006/12/16

THIS DOCUMENT IS SUBJECT TO CHANGE WITHOUT NOTICE. IT IS CONFIDENTIAL AND A PROPERTY OF Amphenol LTW. DISCLOSURE TO THIRD PARTY HAS TO BE AUTHORIZED BY Amphenol LTW.