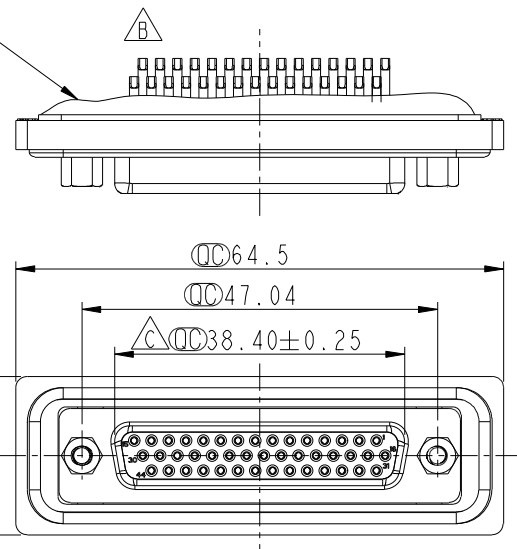
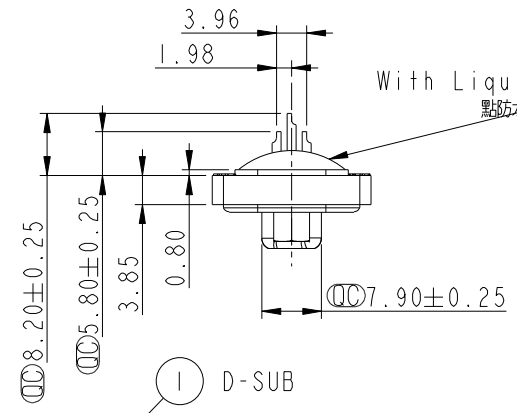


REV.	ECN NO.	DATE	SIGN	DESCRIPTION
B	LEN-990081	2009/08/24	Vicky	Remove Pin Dim.
C	LEN1390036	2013-05-14	Lu Di	Update Dimensions

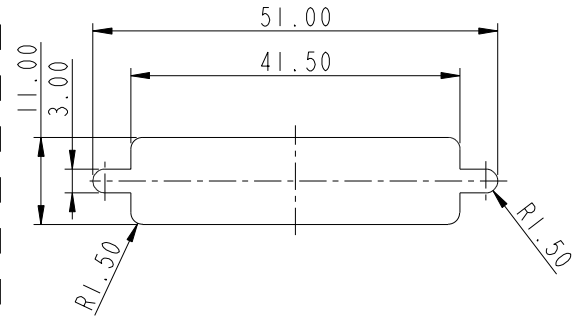


Screw L=5.0 For Panel Thickness Under 1.2mm

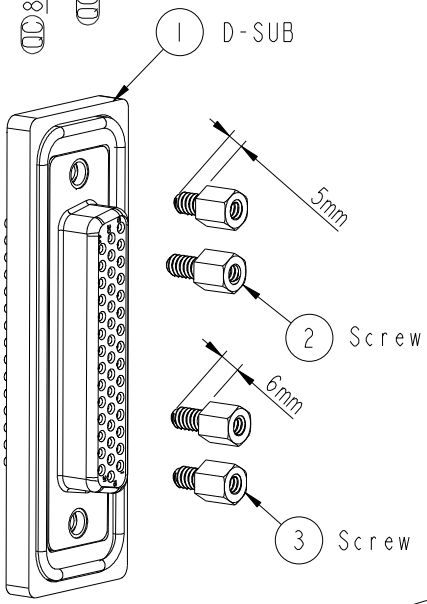
適用板厚為 1.2mm 以下

Screw L=6.0 For Panel Thickness Between 1.2~2.0mm

適用板厚為 1.2~2.0mm



Recommended Panel Cut-Out  
建議挖孔尺寸



- Note:
- \*  $\varnothing$  Important Dimension.
  - \* Waterproof Rate: IP68  
IP68: 1M of depth of water 24 hours  
(防水等級: IP68)  
(1米水深24小時)
  - \* Do Mating Test After Glued  
點膠後, 須作對插測試
  - \* Housing: Black, Nylon+GF.
  - \* Connector: Black, PBT.
  - \* Female Pin: Copper Alloy, Gold Plated.
  - \* Ring: Silicone, Light Blue.
  - \* Screw: Copper Alloy, Nickel Plated, #4-40 UNC.
  - \* Applicable Wire Range: 24AWG-28AWG.  
適用電線範圍: 24AWG-28AWG

UNIT: mm		
TOLERANCE	.X ±0.25	
	.XX ±0.1	
	.XXX ±0.05	
ANGLES	±1°	

TITLE D-SUB Conn. Panel Screw HD44P F Conn. F Pin		
SCALE 1:1	SIZE A4	SHEET 1 OF 1
REV. C	WC-REV. A.3	$\varnothing$ : Inspection item

**Amphenol LTW**  
安費諾亮泰企業股份有限公司

ITEM NO. HDB-44PFFS-SL8001	DRAWN BY Di_lu	DATE 2013-05-14
DWG NO. HDB-44PFFS-SL8001	CHECKED BY Mafei	DATE 2013-05-14
CUSTOMER ALTW	APPROVED BY Victor	DATE 2013-05-14

THIS DOCUMENT IS SUBJECT TO CHANGE WITHOUT NOTICE. IT IS CONFIDENTIAL AND A PROPERTY OF Amphenol LTW. DISCLOSURE TO THIRD PARTY HAS TO BE AUTHORIZED BY Amphenol LTW.

2 3 4 5 6 7 8

2 3 4 5 6 7 8 FMM10702-01-02A1