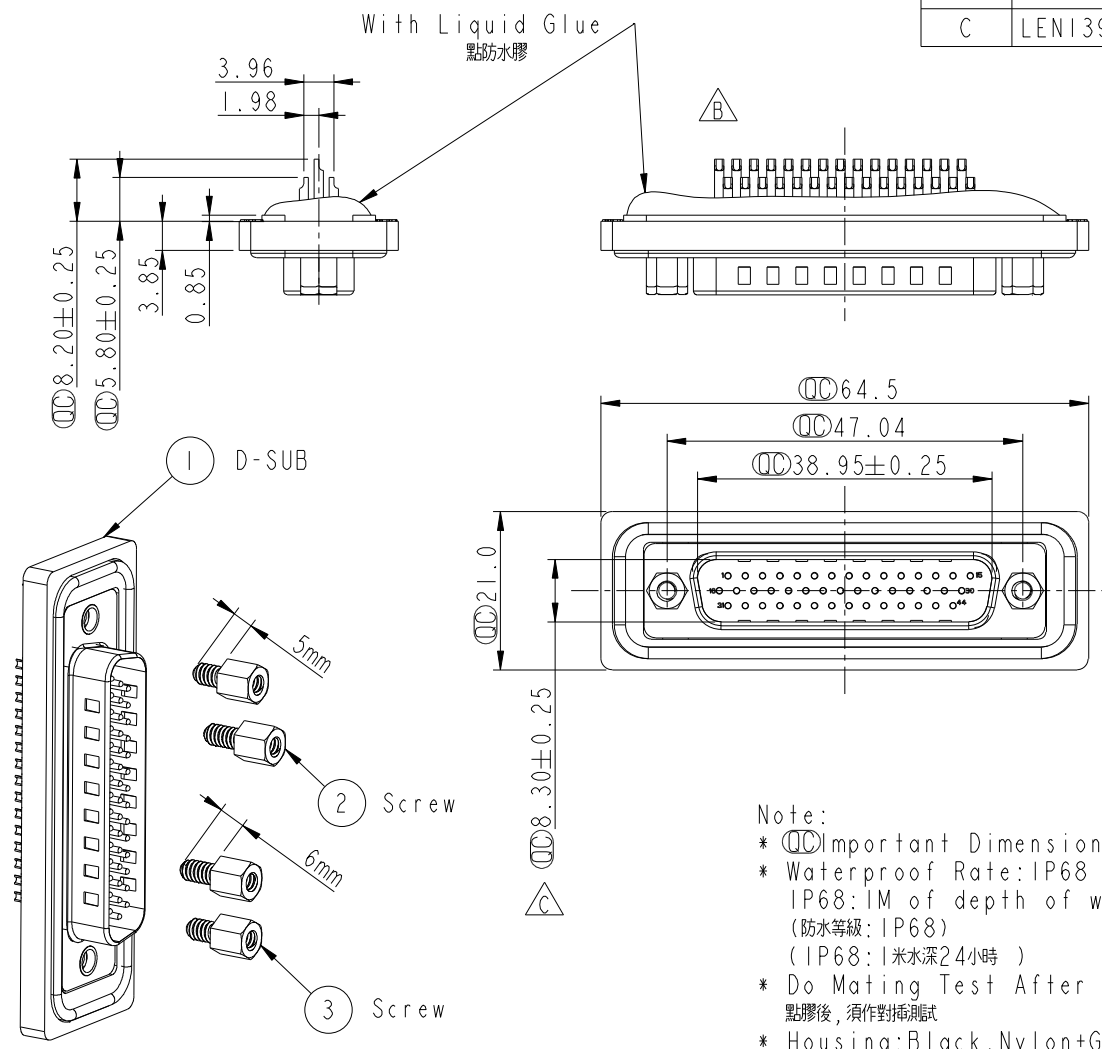


REV.	ECN NO.	DATE	SIGN	DESCRIPTION
B	LEN-990082	2009/08/24	Vicky	Remove Pin Dim.
C	LEN1390038	2013-05-14	Lu Di	Update Dimensions



ALTW
CONFIDENTIAL
2013-05-14
R&D DEPT.

ALTW
DCC. DEPT.
CONFIDENTIAL
2013.09.05
ISSUED

- Note:
- * ⌀ Important Dimension.
 - * Waterproof Rate: IP68
IP68: 1M of depth of water 24 hours
(防水等級: IP68)
(IP68: 1米水深24小時)
 - * Do Mating Test After Glued
點膠後, 須作對插測試
 - * Housing: Black, Nylon+GF.
 - * Connector: Black, PBT.
 - * Male Pin: Copper Alloy, Gold Plated.
 - * Ring: Silicone, Light Blue.
 - * Screw: Copper Alloy, Nickel Plated, #4-40 UNC.
 - * Applicable Wire Range: 24AWG-28AWG.
- 適用電線範圍: 24AWG-28AWG



Recommended Panel Cut-Out
建議控孔尺寸

UNIT: mm		
TOLERANCE	.X ±0.25	
	.XX ±0.1	
	.XXX ±0.05	
ANGLES	±1°	

TITLE D-SUB Conn. Panel Screw HD44P M Conn. M Pin			
SCALE	1:1	SIZE	A4
REV.	C	WC-REV.	A.4
		⌀	Inspection item

Amphenol LTW
安費諾亮泰企業股份有限公司

ITEM NO	HDB-44PMMS-SL8001
DWG NO	HDB-44PMMS-SL8001
CUSTOMER	ALTW

DRAWN BY	Di_lu
CHECKED BY	Mafei
APPROVED BY	Victor

DATE	2013-05-14
DATE	2013-05-14
DATE	2013-05-14

THIS DOCUMENT IS SUBJECT TO CHANGE WITHOUT NOTICE. IT IS CONFIDENTIAL AND A PROPERTY OF Amphenol LTW. DISCLOSURE TO THIRD PARTY HAS TO BE AUTHORIZED BY Amphenol LTW.