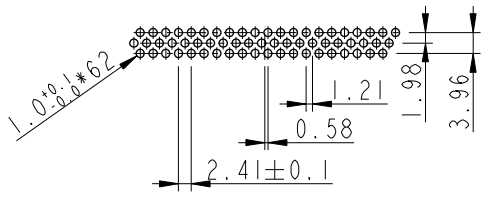
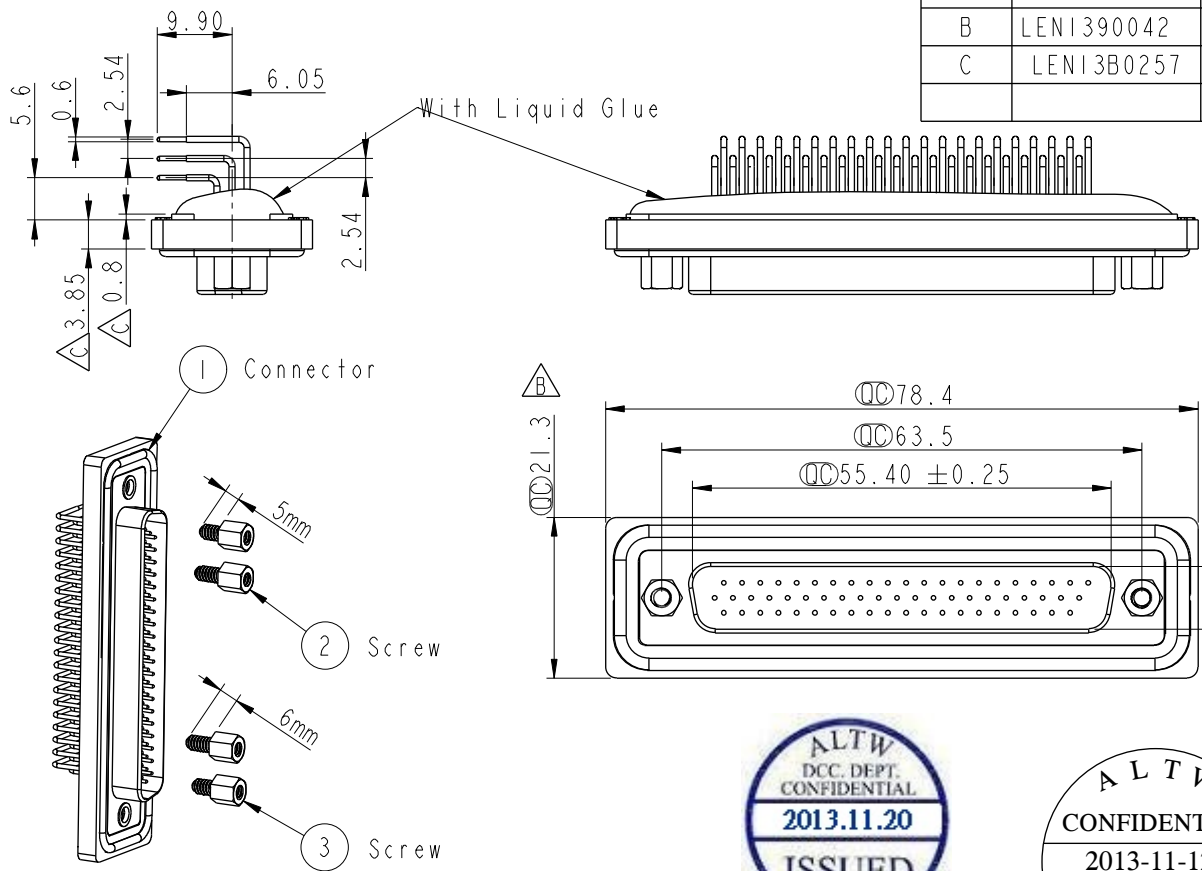
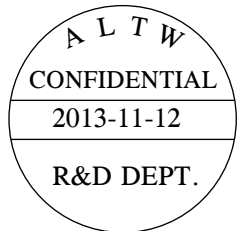


REV.	ECN NO.	DATE	SIGN	DESCRIPTION
B	LEN1390042	2013-05-13	Lu Di	Update Dimnensions
C	LEN13B0257	2013/11/12	SAM	Modify Dimension.



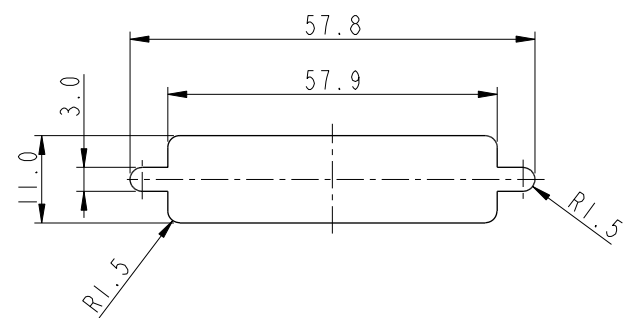
Note:

- * \varnothing Important Dimension.
- * Waterproof Rate : IP67
- * Do Mating Test After Glued
點膠後，須作對插測試
- * HD-SUB Conn. : Black Core, PBT
- * Plastic Jacket : Black, Nylon+GF
- * Male Pin : Copper Alloy , Gold Plated
- * Ring : Light Blue, Silicone
- * Screw : Copper Alloy, Nickel Plated, #4-40 UNC



Screw L=5.0 For Panel Thickness Under 1.2mm
適用板厚為 1.2mm 以下

Screw L=6.0 For Panel Thickness Between 1.2~2.0mm
適用板厚為 1.2~2.0mm



UNIT:mm			TITLE HD-Sub Conn. 62 Pins PCB Type For Panel, PCB 90°
TOLERANCE	.X ±0.25	.XX ±0.1	SCALE 1:1
.XXX ±0.05	ANGLES ±1°		SIZE A4
			SHEET 1 OF 1
			REV. C
			WC-REV. B.1
			\varnothing : Inspection item

Amphenol LTW
安費諾亮泰企業股份有限公司

ITEM NO HDB-62PMMP-SR7001	DRAWN BY SamChang	DATE 2013-11-12
DWG NO HDB-62PMMP-SR7001	CHECKED BY Jeffrey	DATE 2013-11-12
CUSTOMER ALTW	APPROVED BY Rita	DATE 2013-11-12

THIS DOCUMENT IS SUBJECT TO CHANGE WITHOUT NOTICE. IT IS CONFIDENTIAL AND A PROPERTY OF Amphenol LTW. DISCLOSURE TO THIRD PARTY HAS TO BE AUTHORIZED BY Amphenol LTW.