
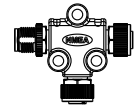
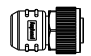
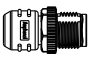
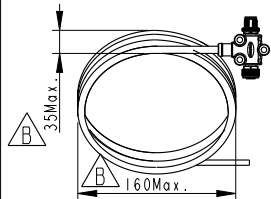
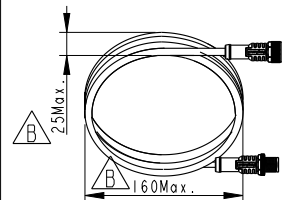
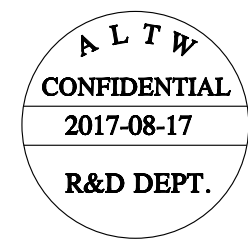





THIS DOCUMENT IS SUBJECT TO CHANGE WITHOUT NOTICE. IT IS CONFIDENTIAL AND A PROPERTY OF AMPHENOL LTW. DISCLOSURE TO THIRD PARTY HAS TO BE AUTHORIZED BY AMPHENOL LTW.

REV.	ECN NO.	DATE	SIGN	DESCRIPTION
B	LE31770038	2017-07-04	Fisher Wang	Change Note, add 6 Tee connector and Package
C	LEN1781512	2017-08-17	Frank Deng	Update Note

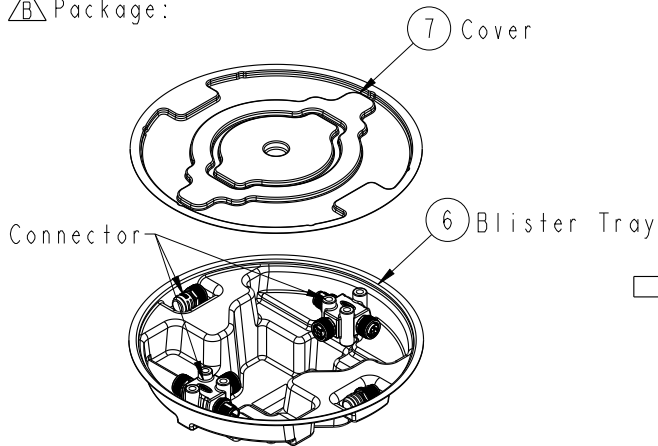
Basic	 ① HMC-050505-FMF-TS001	3 Tee Adaptor 2Pcs	
	② HMC-05BFFT-SL8001	Female Terminator 1Pcs	
	③ HMC-05BMMT-SL8001	Male Terminator 1Pcs	
	⑤ HMC-050500-FM0-TSA02	T Cable, 2M 1Pcs	
	④ HMC-000505-0MF-CSA02	Drop Cable Cable Length=2M, 1Pcs	



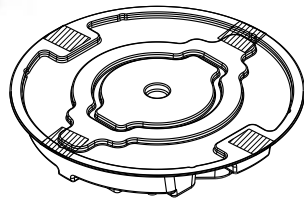
- 
 Note:
- * 3 Tee Adaptor: 2PCS
 - * Female Terminator 1PCS
 - * Male Terminator :1PCS
 - * T-Cable, cable length 2m, 1PCS
 - * 2 Ends Cable, cable length 2m, 1PCS
 - * All connector put into the blister tray
 - * 注意繞線尺寸需符合圖面要求, 否則會影響產品裝入彩盒.
 - * 5pcs blister tray /Carton
 - * Net weight: 2.0kg / Carton
 - * Gross weight: 4.2Kg / Carton

A	UNIT:mm		TITLE NMEA2000 Starter Kit Metal, Basic Type		<h1 style="margin: 0;">Amphenol LTW</h1> <p style="margin: 0;">安費諾亮泰企業股份有限公司</p>	ITEM NO HMC-B-001	DRAWN BY Frank Deng	DATE 2017-08-17	
	TOLERANCE		SCALE Free	SIZE A4		SHEET 1 OF 2	DWG NO HMC-B-001	CHECKED BY Fisher Wang	DATE 2017-08-17
			REV. C	WC-REV. A.2		QC: Inspection item	CUSTOMER ALTW	APPROVED BY Kevin Hu	DATE 2017-08-17
								8 FMM10702-01-02A1	

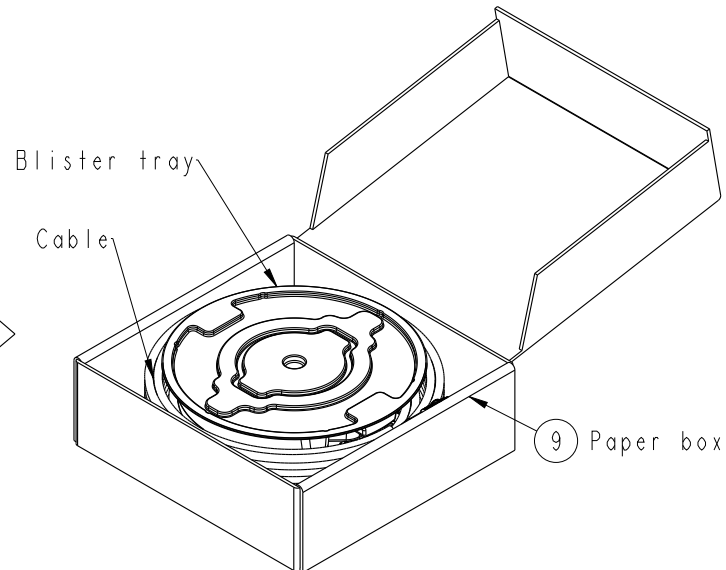
B Package:



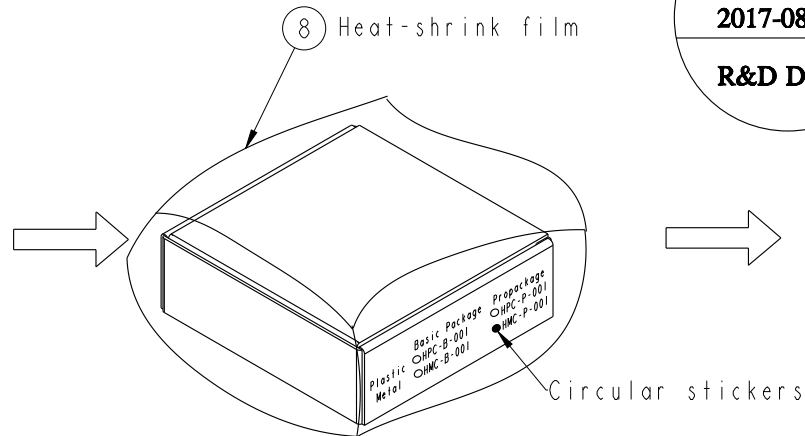
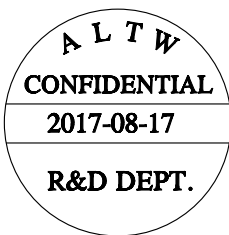
Step 1: Connector put in the Tray
將所有連接器裝入泡殼



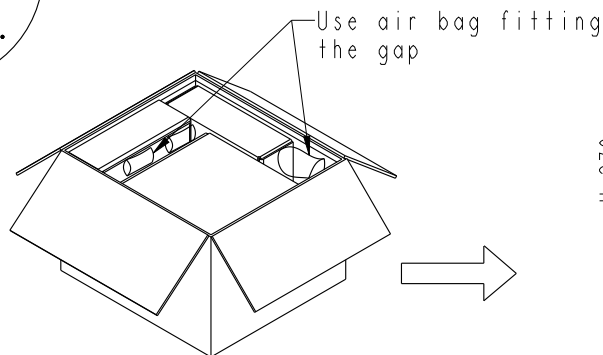
Step 2: Use adhesive tape bonding the blister tray and cover
使用膠帶粘合泡殼和上蓋



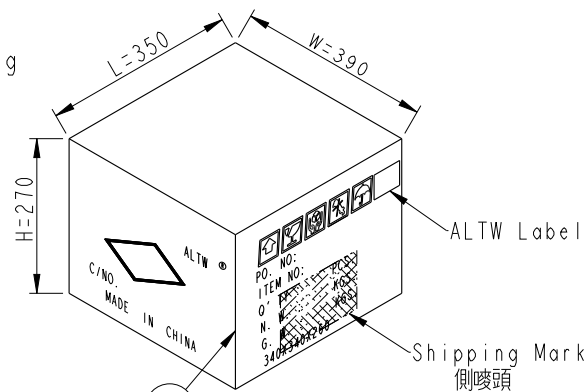
Step 3: First the cable into the paper box, then put the blister tray into the paper box
先將線材放入紙盒，然後再將裝好連接器的泡殼放入紙盒



Step 4: Use a small circular stickers on cartons side, small circular sticker must be on the right product, and then do shrink film
使用一張圓形小貼紙貼于紙盒側邊，圓形貼紙需貼在正確的產品料號上，確認紙盒內部包裝的產品與圖面要求一致，然後封收縮膜包裝



Step 5: First put a waterproof bag into carton, 5pcs paper box into the carton, use air bag filling the gaps
首先在外箱內放一個防水袋，每5個紙盒裝入一個外箱，多餘的空隙需用氣袋填滿



- Carton 10
- Interior cardboard 11
- Partition 12
- Waterproof bag 13

UNIT: mm		
TOLERANCE		

TITLE NMEA2000 Starter Kit Metal, Basic Type			
SCALE Free	SIZE A4	SHEET 2 OF 2	
REV. C	WC-REV. A.1	QC: Inspection item	

Amphenol LTW
安費諾亮泰企業股份有限公司

ITEM NO HMC-B-001	DRAWN BY Frank Deng	DATE 2017-08-17
DWG NO HMC-B-001	CHECKED BY Fisher Wang	DATE 2017-08-17
CUSTOMER ALTW	APPROVED BY Kevin Hu	DATE 2017-08-17

ITEM NO HMC-B-001	DRAWN BY Frank Deng	DATE 2017-08-17
DWG NO HMC-B-001	CHECKED BY Fisher Wang	DATE 2017-08-17
CUSTOMER ALTW	APPROVED BY Kevin Hu	DATE 2017-08-17