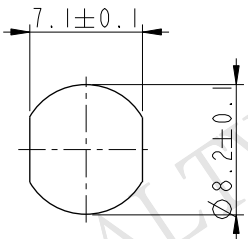
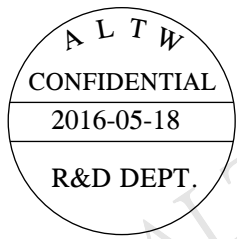
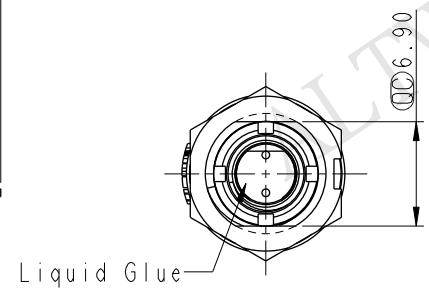
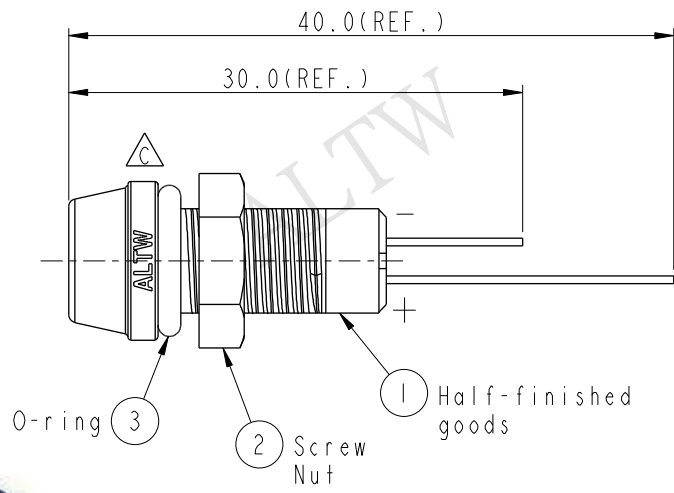
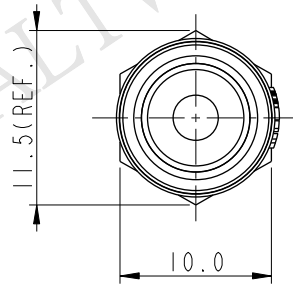
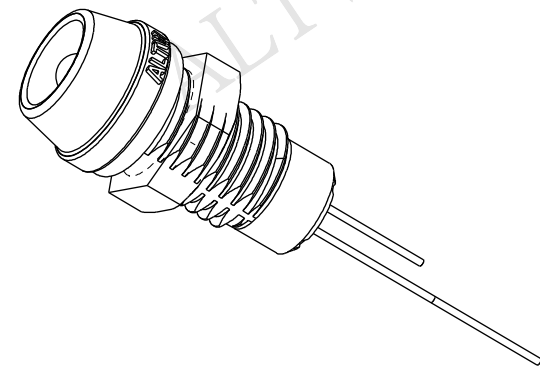
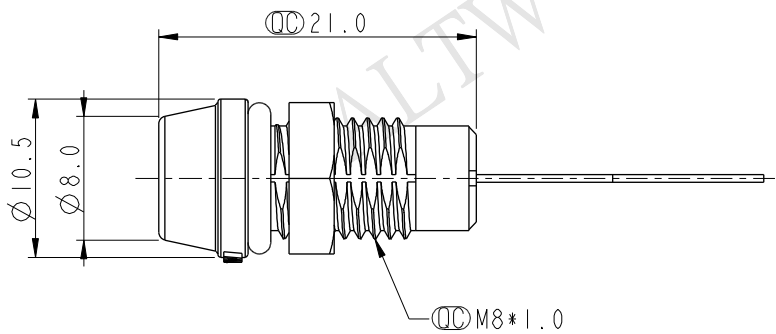


REV.	ECN NO.	DATE	SIGN	DESCRIPTION
B	LEN-930481	2009/03/04	ZhaoRongFu	Add Waterproof Rate
C	LEN1650671	2016/05/18	Ruru	Change Logo



Recommended Panel Cut-Out



- Notes:
- * \varnothing Important Dimension To Check
 - * Waterproof Rate: IP67
 - * LED Holder: PC+ABS, Black
 - * LED: \varnothing 3 mm, Yellow (高亮度)
 - * O-ring: EPDM, Black
 - * Screw Nut: Nylon+GF
 - * Operating Voltage: DC 4V
 - * Operating Temperature: -40~+80°C
 - * For Panel Thickness 6.5mm Max.

UNIT: mm		
TOLERANCE	.X ±0.25	
.XX ±0.1		
.XXX ±0.05		
ANGLES	±1°	

TITLE ϕ3mm Plastic LED, Yellow			
SCALE 2:1	SIZE A4	SHEET 1 OF 1	
REV. C	WC-REV. A.2	\varnothing : Inspection item	

Amphenol LTW
安費諾亮泰企業股份有限公司

ITEM NO. L08-01YAAS-PR7001	DRAWN BY Ruru	DATE 2016-05-18
DWG NO. L08-01YAAS-PR7001	CHECKED BY Rita	DATE 2016-05-18
CUSTOMER ALTW	APPROVED BY Lisa	DATE 2016-05-18

THIS DOCUMENT IS SUBJECT TO CHANGE WITHOUT NOTICE. IT IS CONFIDENTIAL AND A PROPERTY OF Amphenol LTW. DISCLOSURE TO THIRD PARTY HAS TO BE AUTHORIZED BY Amphenol LTW.