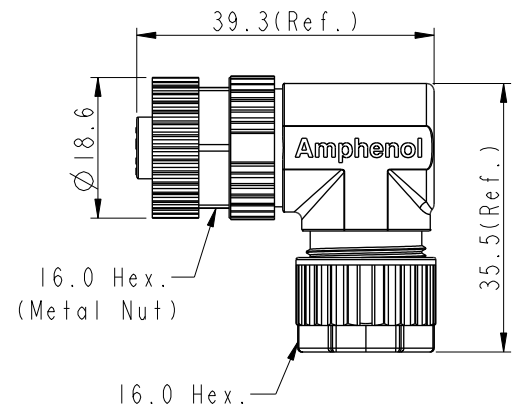
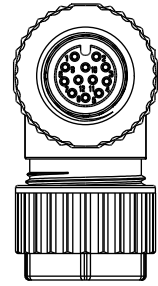
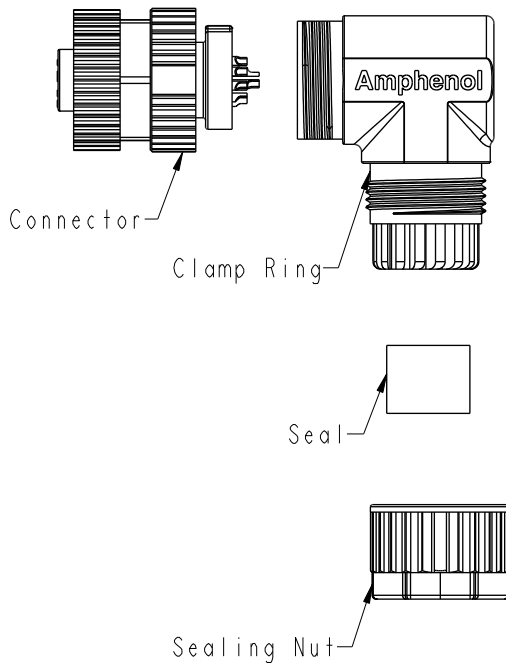


THIS DOCUMENT IS SUBJECT TO CHANGE WITHOUT NOTICE. IT IS CONFIDENTIAL AND A PROPERTY OF Amphenol LTW. DISCLOSURE TO THIRD PARTY HAS TO BE AUTHORIZED BY Amphenol LTW.

REV.	ECN NO.	DATE	SIGN	DESCRIPTION
D	C200429	2020/03/25	JC Chen	$\triangle D$ X1
E	C210007	2020/12/29	Ruru	$\triangle E$ X3
F	C210561	2021/04/09	Vicky	$\triangle F$ X2

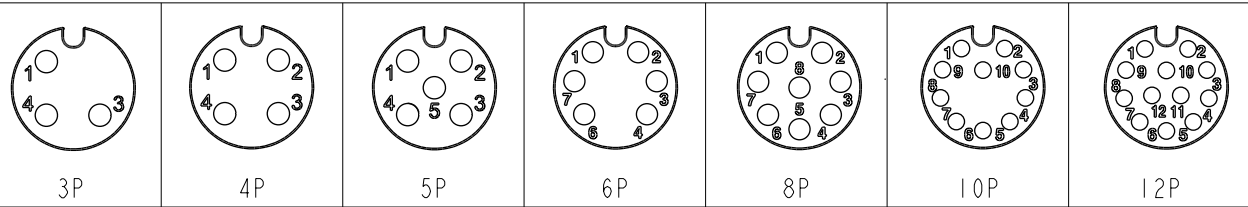


$\triangle D \triangle E$   
M12A-XXBFFA-SR7001

XX: No. Of Pin

$\triangle C \triangle F$

- Note:
- \* RoHS Compliant
  - \*  $\text{⌀}$  Important Dimension
  - \* Waterproof rate: IPX7, mated
  - \* Connector Housing: Thermoplastic, Black
  - Pin: Copper alloy, Gold plated
  - Extension Nut: Thermoplastic, Black
  - $\triangle E$  Nut: Metal
  - O-Ring: Rubber, Gray
  - \* Clamp Ring: Thermoplastic, Black
  - \* Sealing Nut: Thermoplastic, Black
  - $\triangle B$  \* Seal: Rubber, Gray, OD:  $\text{⌀}4.0\text{mm} \sim \text{⌀}7.0\text{mm}$
  - \* One set unassembled in one pe bag



Pin Assignments Front View

UNIT: mm	$\text{⌀}$	$\text{⌀}$	TITLE N SEN, M12 A, SCREW CABLE W/O SR, F, F, FI SOLDER	$\triangle E \triangle F$
TOLERANCE .X $\pm 0.25$ .XX $\pm 0.1$ .XXX $\pm 0.05$ ANGLES $\pm 1^\circ$			SCALE 1:1	SIZE A4
			REV. F	WC-REV. .0
				$\text{⌀}$ : Inspection item

**Amphenol LTW**  
安費諾亮泰企業股份有限公司

ITEM NO.	DRAWN BY JC Chen	DATE 2020-03-13
DWG NO. M12A-XXBFFA-SR7001	CHECKED BY Li Feng	DATE 2020-03-13
CUSTOMER ALTW	APPROVED BY Jerry	DATE 2020-03-13