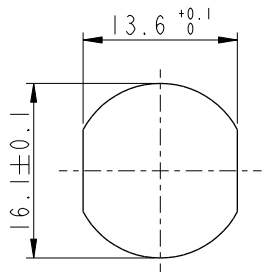


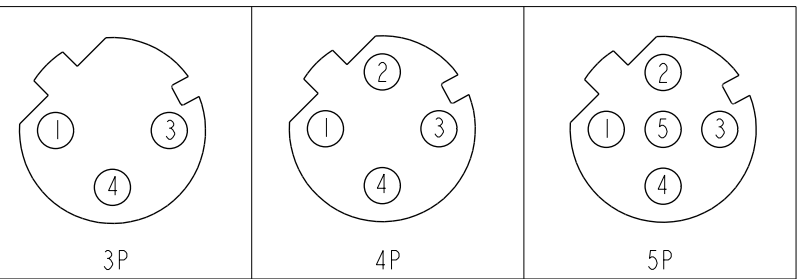
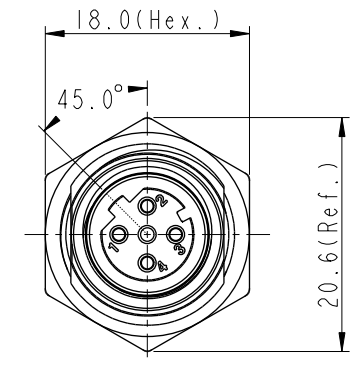
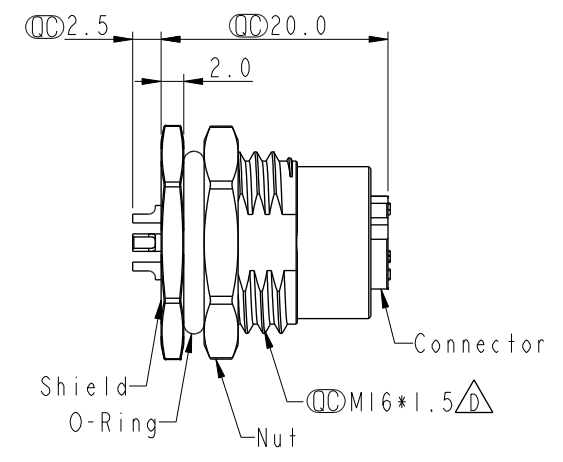
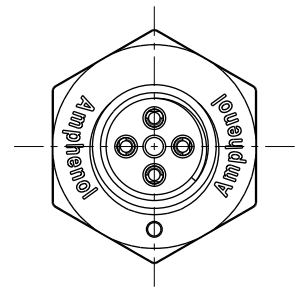
THIS DOCUMENT IS SUBJECT TO CHANGE WITHOUT NOTICE. IT IS CONFIDENTIAL AND A PROPERTY OF Amphenol LTW. DISCLOSURE TO THIRD PARTY HAS TO BE AUTHORIZED BY Amphenol LTW.

REV.	ECN NO.	DATE	SIGN	DESCRIPTION
C	LEN1690141~142	2016/08/25	Yulong_wang	Add 3, 5 Pin & IP69K.
D	C201469	2020/09/28	Ruru	$\triangle D$ X5
E	C210309	2021/03/03	Ruru	$\triangle E$ X2



$\triangle C$ $\triangle D$
M12D-XXPFFS-SF8002
XX: No. Of Pin

Recommended Panel Cut-Out



Pin Assignment Front View

- $\triangle D$ $\triangle E$ Note:
- * RoHS Compliant
 - * CC Important dimension
 - * $\triangle C$ Waterproof rate: IPX8, unmated 1m/24h
IPX9K, unmated
 - * Connector
Housing: Thermoplastic, Black
Pin: Copper alloy, Gold plated
O-Ring: Rubber, Green
 - * Shield: Metal
 - * Nut: Metal
 - * O-Ring: Rubber, Black
 - * For panel thickness max: 4.5mm
 - * Nut is packed separately in pe bag

UNIT: mm		TITLE N SEN, M12 D, SCREW RECEPTACLE, F, F, SOLDER $\triangle A$
TOLERANCE .X ±0.25 .XX ±0.1 .XXX ±0.05 ANGLES ±1°	SCALE 2:1	SIZE A4
	REV. E	SHEET 1 OF 1
	WC-REV. A.5	CC : Inspection item

Amphenol LTW
安費諾亮泰企業股份有限公司

ITEM NO.	DRAWN BY Yulong_wang	DATE 2016-08-25
DWG NO. $\triangle A$ M12D-XXPFFS-SF8002	CHECKED BY Jinhai	DATE 2016-08-25
CUSTOMER ALTW	APPROVED BY Jerry	DATE 2016-08-25