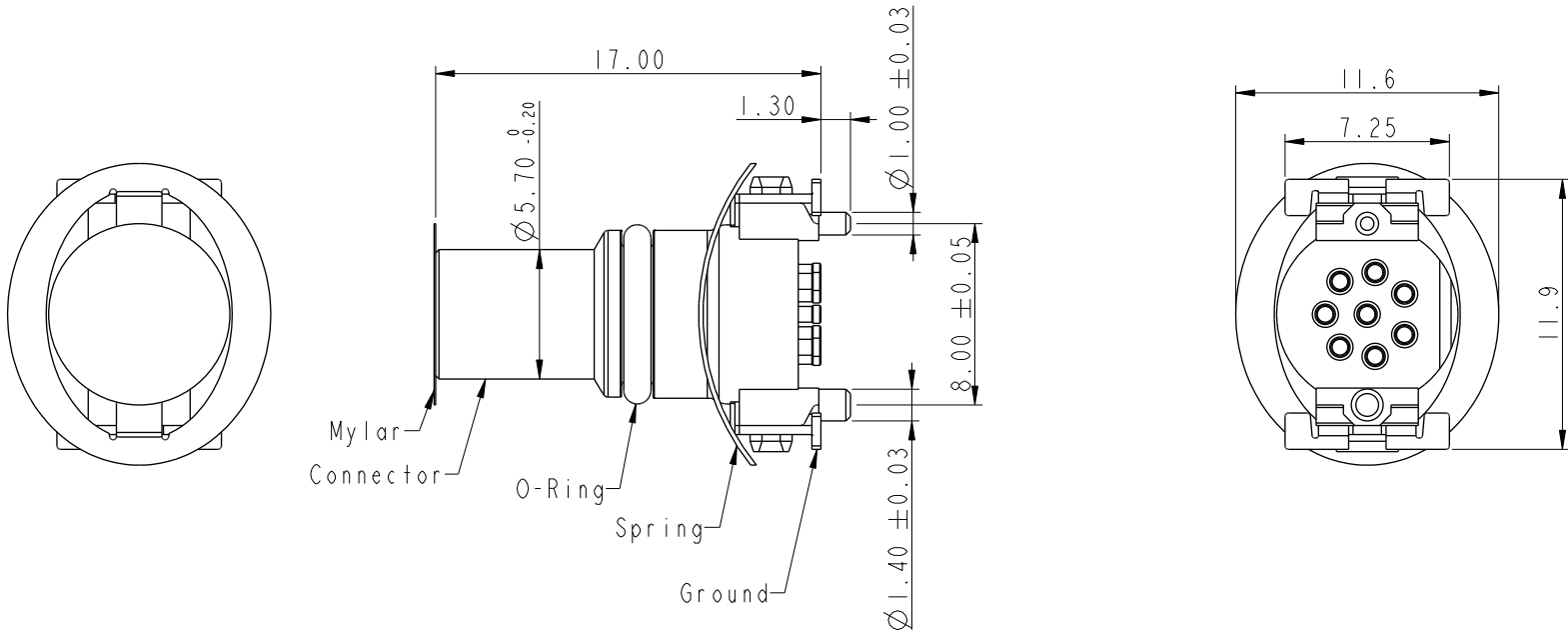


REV.	ECN NO.	DATE	SIGN	DESCRIPTION
A		2020/07/16	Allen Pan	Rev.01 To Rev.A
B	C210686	2021/05/12	Vicky	$\triangle B$ X6



- $\triangle B$ Note:
- * RoHS Compliant
 - * CC Important dimension
 - * Waterproof rate: Non-Waterproof
 - * Connector
 - Housing: Thermoplastic, Black
 - Pin: Copper alloy, Gold plated
 - O-Ring: Rubber, Gray
 - * Spring: Metal
 - * Ground: Metal
 - * Mylar: PI, Amber

UNIT: mm		
TOLERANCE		
.X	±0.25	
.XX	±0.1	
.XXX	±0.05	
ANGLES	±1°	

TITLE N SEN, M8-SHLD, NONE RECEPTACLE, F, F, PCB SMT				$\triangle B$
SCALE	SIZE	SHEET OF		
3:1	A4	1 OF 4		
REV.	WC-REV.	CC : Inspection item		
B	A.1			

Amphenol LTW
安費諾亮泰企業股份有限公司

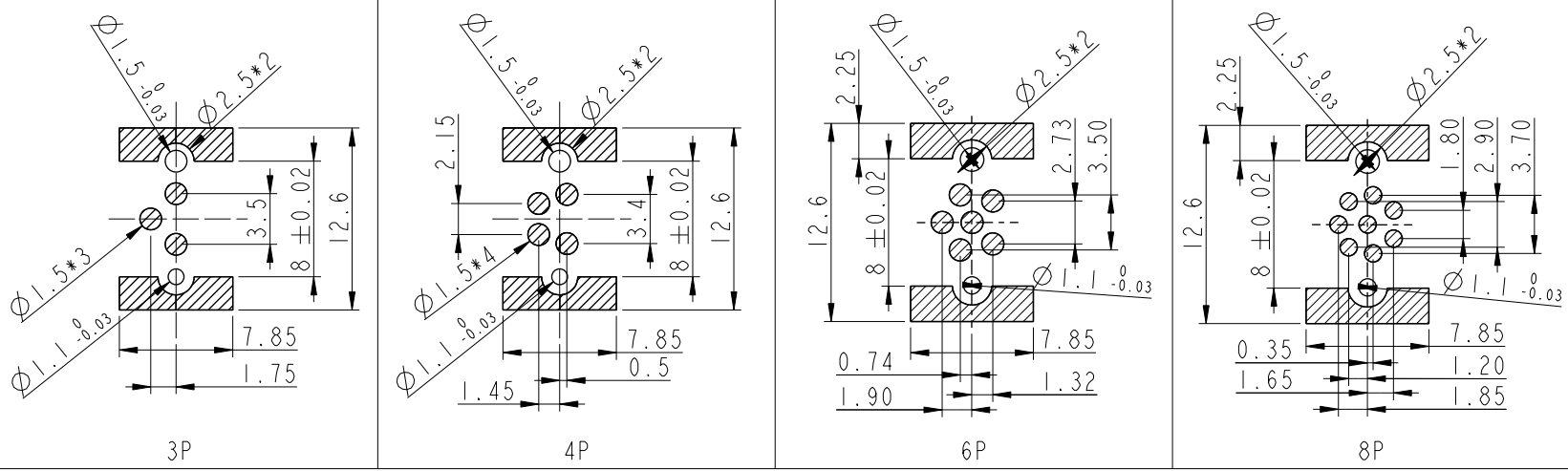
ITEM NO.	DRAWN BY	DATE
	Allen Pan	2020-07-16
DWG NO.	CHECKED BY	DATE
M8S-XXPFFT-EE0001	Sam Ho	2020-07-16
CUSTOMER	APPROVED BY	DATE
ALTW	Fred Lee	2020-07-16

THIS DOCUMENT IS SUBJECT TO CHANGE WITHOUT NOTICE. IT IS CONFIDENTIAL AND A PROPERTY OF AMPHENOL LTW. DISCLOSURE TO THIRD PARTY HAS TO BE AUTHORIZED BY AMPHENOL LTW.

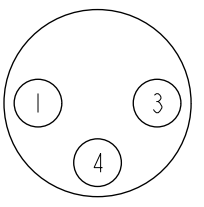
THIS DOCUMENT IS SUBJECT TO CHANGE WITHOUT NOTICE. IT IS CONFIDENTIAL AND A PROPERTY OF Amphenol LTW. DISCLOSURE TO THIRD PARTY HAS TO BE AUTHORIZED BY Amphenol LTW.

M8S-XXPFFT-EE0001

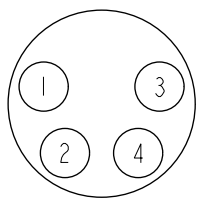
△XX: No. Of Pin



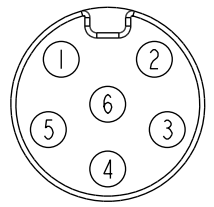
PCB Layout



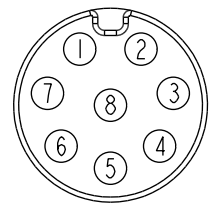
3P



4P



6P



8P

Pin Assignments Front View

UNIT: mm		
TOLERANCE	.X	±0.25
	.XX	±0.1
	.XXX	±0.05
ANGLES		±1°

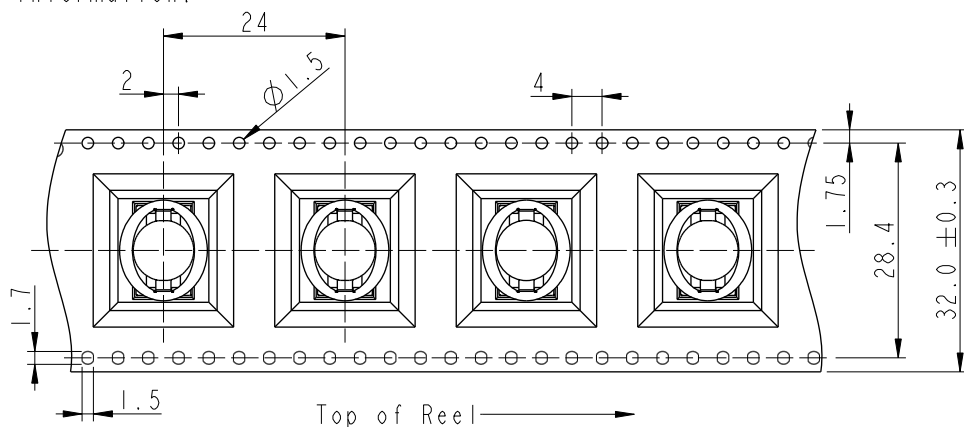
TITLE N SEN, M8-SHLD, NONE RECEPTACLE, F, F, PCB SMT			△B
SCALE Free	SIZE A4	SHEET 2 OF 4	
REV. B	WC-REV. A.1	☉: Inspection item	

Amphenol LTW
安費諾亮泰企業股份有限公司

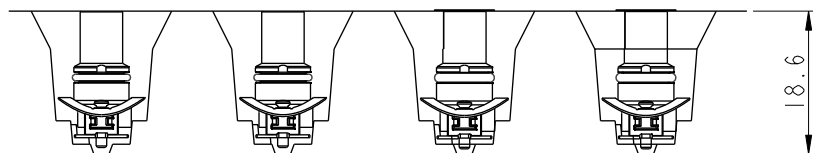
ITEM NO	DRAWN BY	DATE
DWG NO M8S-XXPFFT-EE0001	Allen Pan	2020-07-16
CUSTOMER ALTW	CHECKED BY Sam Ho	DATE 2020-07-16
	APPROVED BY Fred Lee	DATE 2020-07-16

THIS DOCUMENT IS SUBJECT TO CHANGE WITHOUT NOTICE. IT IS CONFIDENTIAL AND A PROPERTY OF Amphenol LTW. DISCLOSURE TO THIRD PARTY HAS TO BE AUTHORIZED BY Amphenol LTW.

Tape & Reel Information:

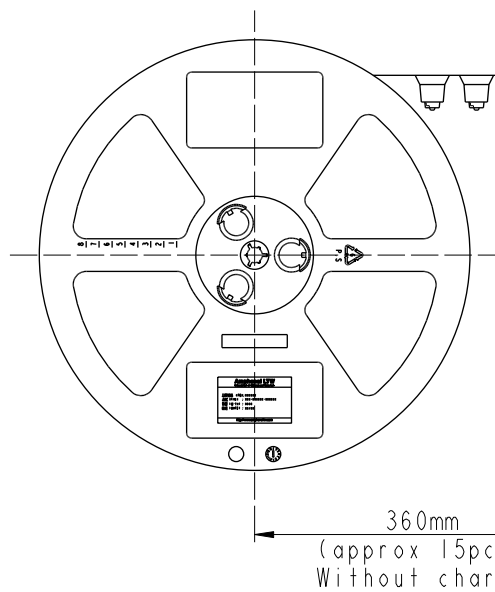
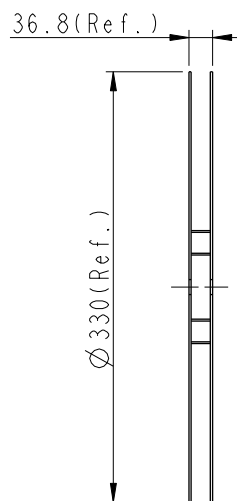


Note:
 * Connector Orientation Follow Drawing



Wide Cover Tape Around
 Out Periphery 1 Turn

Peeling Strength 0.1~1.3N Max.
 (300±10mm/min)
 Peeling Angle
 165~180°

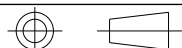


Top of Reel →

100 PCS/Reel
 With Product Charge

360mm
 (approx 15pcs)
 Without Charge

UNIT: mm



TOLERANCE	
.X	±0.25
.XX	±0.1
.XXX	±0.05
ANGLES	±1°

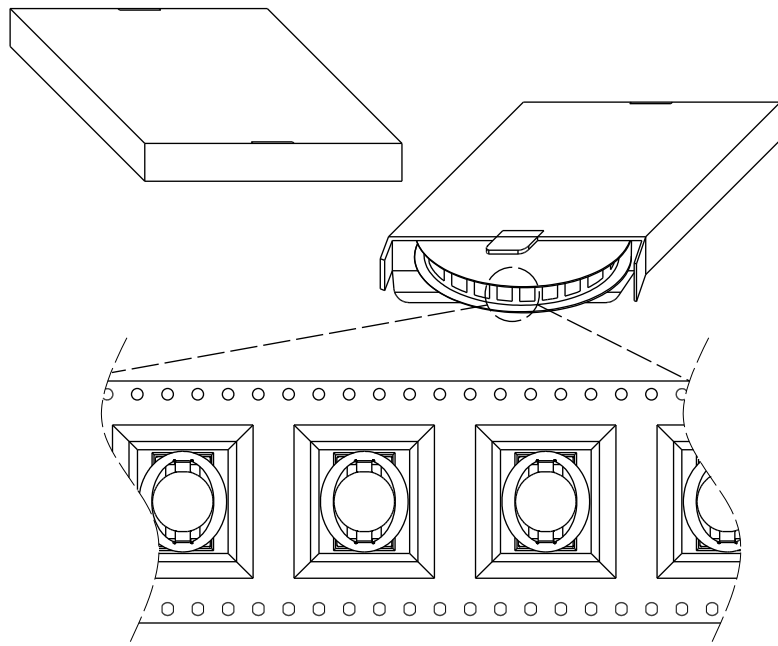
TITLE N SEN, M8-SHLD, NONE RECEPTACLE, F, F, PCB SMT			
SCALE	SIZE	SHEET	OF
Free	A4	3	4
REV.	WC-REV.	Inspection item	
B	A.1		

Amphenol LTW
 安費諾亮泰企業股份有限公司

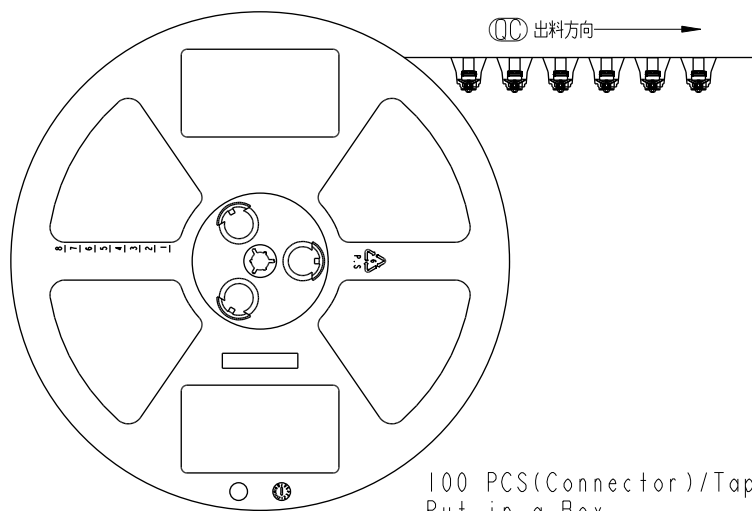
ITEM NO	DRAWN BY	DATE
	Allen Pan	2020-07-16
DWG NO	CHECKED BY	DATE
M8S-XXPFFT-EE0001	Sam Ho	2020-07-16
CUSTOMER	APPROVED BY	DATE
ALTW	Fred Lee	2020-07-16

THIS DOCUMENT IS SUBJECT TO CHANGE WITHOUT NOTICE. IT IS CONFIDENTIAL AND A PROPERTY OF Amphenol LTW. DISCLOSURE TO THIRD PARTY HAS TO BE AUTHORIZED BY Amphenol LTW.

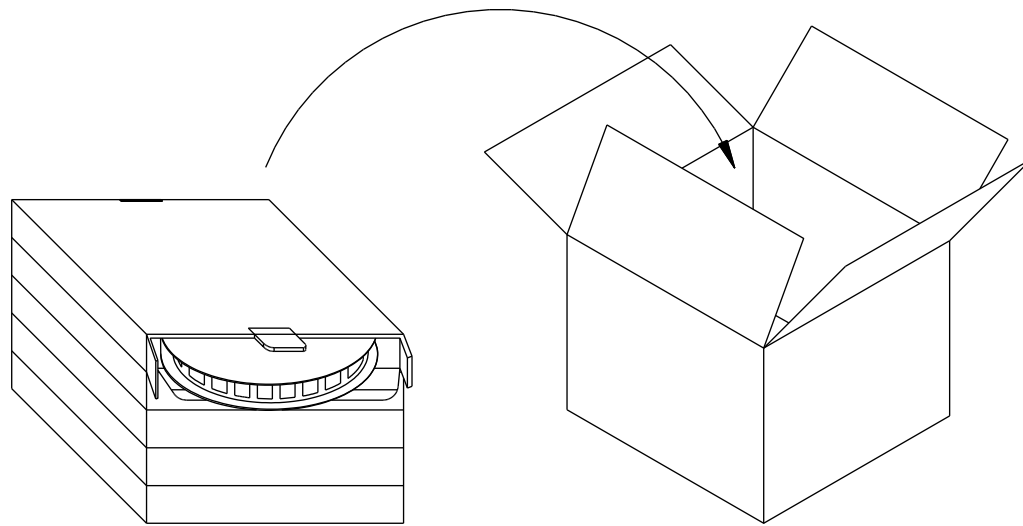
Package:



出料方向 →

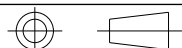


100 PCS(Connector)/Tape&Reel,
Put in a Box



One Carton can put in the 5PCS(Max.) Box
(500 PCS/Carton)

UNIT:mm



TOLERANCE
.X ±0.25
.XX ±0.1
.XXX ±0.05
ANGLES ±1°

TITLE N SEN, M8-SHLD, NONE RECEPTACLE, F, F, PCB SMT		SHEET 4 OF 4	
SCALE Free	SIZE A4	REV. B	
WC-REV. A.1		☉: Inspection item	

Amphenol LTW
安費諾亮泰企業股份有限公司

ITEM NO	DRAWN BY Allen Pan	DATE 2020-07-16
DWG NO M8S-XXPFFT-EE0001	CHECKED BY Sam Ho	DATE 2020-07-16
CUSTOMER ALTW	APPROVED BY Fred Lee	DATE 2020-07-16