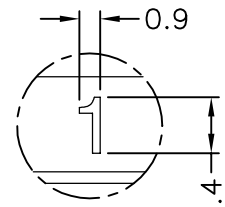


5	6	7	8
REV.	ECN NO.	DATE	SIGN
			DESCRIPTION

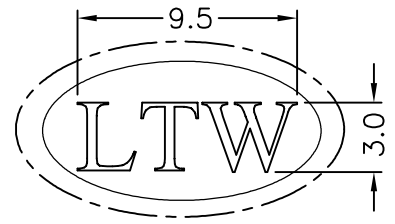
THIS DOCUMENT IS SUBJECT TO CHANGE WITHOUT NOTICE. IT IS CONFIDENTIAL AND A PROPERTY OF AMPHENOL LTW. DISCLOSURE TO THIRD PARTY HAS TO BE AUTHORIZED BY AMPHENOL LTW.



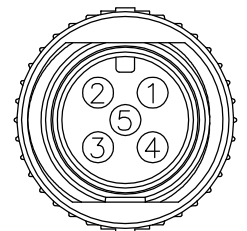
Detail A
Scale 3:1



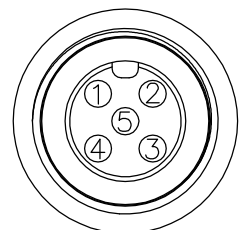
Detail B
Scale 3:1



Detail C
Scale 3:1

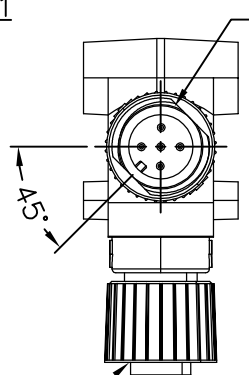


Conn.2
Pin Assignments
Front View

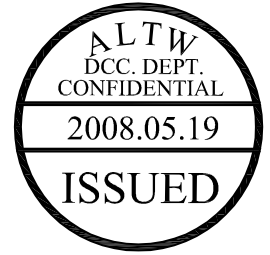
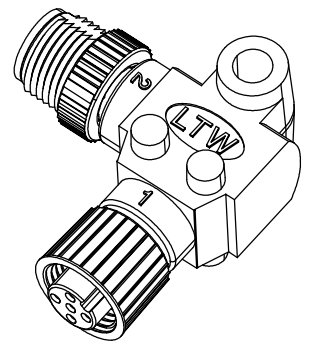
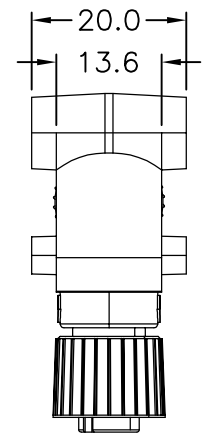
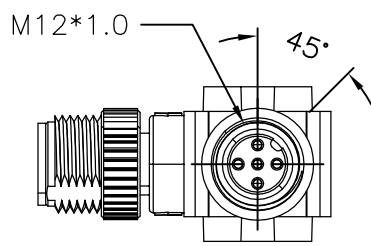
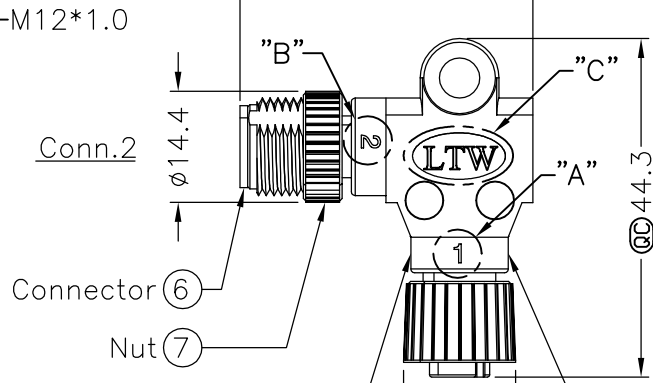
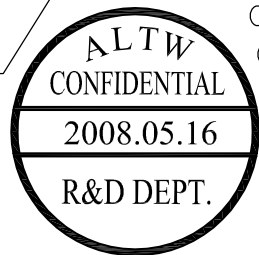


Conn.1
Pin Assignments
Front View

Blue 藍	(22AWG)	5	5
White 白	(22AWG)	4	4
Black 黑	(18AWG)	3	3
Red 紅	(18AWG)	2	2
Green 綠	(22AWG)	1	1
Wire Color		Conn.1	Conn.2
Pin Out			



- O-Ring (4)
- Nut (5)
- Connector (1)
- Female Pin (3, 2)



- Note:
- * QC Important Dimension.
 - * Waterproof Rate: IP68.
 - * Connector: Black, PU.
 - * O-Ring: Green, Viton.
 - * Nut: Zinc Alloy, Nickel Plated.
 - * Pin: Copper Alloy, Gold Plated.
 - * Wire Harness: UL1007/TR64 22AWG, OD=0.76mm, Green, White, Blue.
 - * Wire Harness: UL1007/TR64 18AWG, OD=1.20mm, Red, Black.
 - * Text Depth : 0.3 mm

UNIT:mm	
TOLERANCE	
.X	±0.25
.XX	±0.1
.XXX	±0.05
ANGLES	±1°

TITLE		M12 Conn T Adaptor Screw 90 Degree Elbow	
SCALE	Free	SHEET	1 OF 1
REV.	A	SIZE	A4
		QC : Inspection Item	

Amphenol LTW
安費諾亮泰企業股份有限公司

ITEM NO	MC-000505-0FM-ES001
DWG NO	MC-000505-0FM-ES001
CUSTOMER	ALTW

DRAWN BY	Cloud	DATE	2008/05/16
CHECKED BY	Vicky	DATE	2008/05/16
APPROVED BY	Luke	DATE	2008/05/16