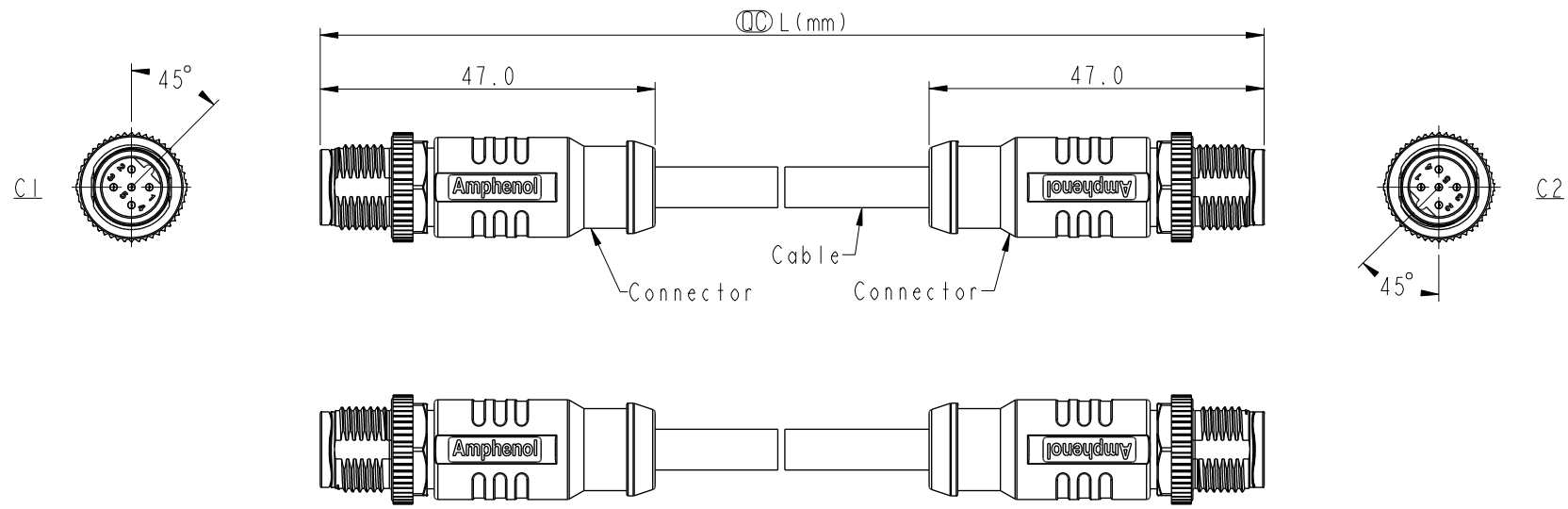
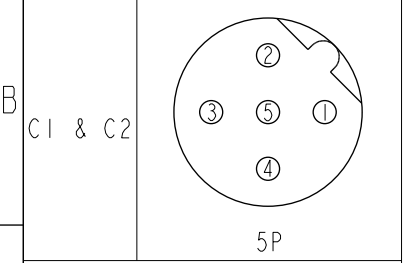


THIS DOCUMENT IS SUBJECT TO CHANGE WITHOUT NOTICE. IT IS CONFIDENTIAL AND A PROPERTY OF Amphenol LTW. DISCLOSURE TO THIRD PARTY HAS TO BE AUTHORIZED BY Amphenol LTW.

REV.	ECN NO.	DATE	SIGN	DESCRIPTION
B	C201808	2020/11/19	Vicky	$\triangle B$ X3
C	C210084	2021/01/18	Vicky	$\triangle C$ X1
D	C210237	2021/03/25	Ruru	$\triangle D$ X2



Pin Out	Shield	
5	Gary	灰
4	Black	黑
3	Blue	藍
2	White	白
1	Brown	棕



Pin Assignments Front View

UNIT:mm	
TOLERANCE	± 0.5 mm

$\triangle B$ MSBSXXML-SBSML-SDXXX
 XX: No. Of Pin XXX: 0.5~99Meters
 A05: 0.5 Meter
 001: 1 Meter
 002: 2 Meters
 :
 099: 99 Meters

- Note: $\triangle B \triangle C \triangle D$
- * RoHS Compliant
 - * CC Important dimension
 - * Waterproof rate: IPX8, mated 1m/24h
 - * Connector:
 Housing: Thermoplastic, Black
 Pin: Copper alloy, Gold plated
 Nut: Metal
 Shield: Metal
 Outer mold: Thermoplastic, Black
 - * Cable: UL2517, Shield, 22#*5C+AL/MY+B, OD=5.7mm, PVC Jacket, Black
 - * Cable length tolerance: 0.5M < L ≤ 1M: +60/-0 mm
 1M < L ≤ 3M: +120/-0 mm
 3M < L ≤ 5M: +160/-0 mm
 5M < L ≤ 10M: ±100 mm
 10M < L ≤ 20M: ±200 mm
 20M < L ≤ 30M: ±300 mm
 30M < L ≤ 99M: ±500 mm

TITLE ACC, SEN, B Code, DB-ENDED MM $\triangle D$			
SCALE 1:2	SIZE A4	SHEET 1 OF 1	
REV. D	WC-REV. A.5	CC : Inspection item	

Amphenol LTW
 安費諾亮泰企業股份有限公司

ITEM NO	DRAWN BY Brady	DATE 2019-01-24
DWG NO $\triangle B$ MSBSXXML-SBSML-SDXXX	CHECKED BY Eagle	DATE 2019-01-24
CUSTOMER ALTW	APPROVED BY Neo	DATE 2019-01-24