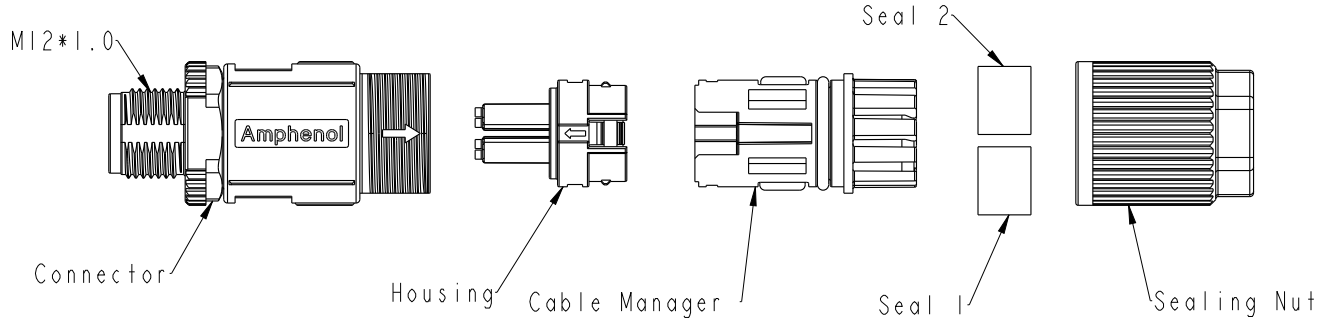
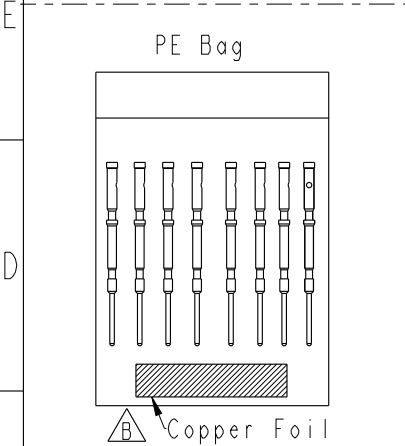


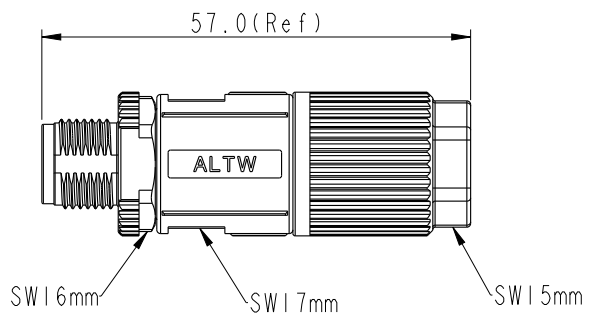
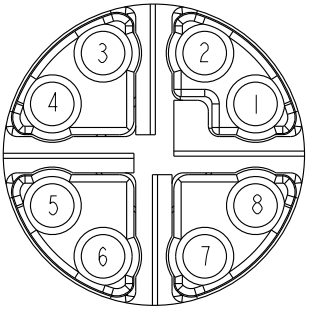
REV.	ECN NO.	DATE	SIGN	DESCRIPTION
A		2021/03/10	Xiaofeng	New Initial
B	C210737	2021/05/06	Xiaofeng	△B X4

F  
E  
D  
C  
B  
A

THIS DOCUMENT IS SUBJECT TO CHANGE WITHOUT NOTICE. IT IS CONFIDENTIAL AND A PROPERTY OF Amphenol LTW. DISCLOSURE TO THIRD PARTY HAS TO BE AUTHORIZED BY Amphenol LTW.



△B MSXS-XXBMMC-SL8001  
8 Pin



- △B Note:
- \* RoHS Compliant
  - \* Ⓞ Important Dimension.
  - \* Waterproof Rate: IPX8, Mated 1m/24h.
  - \* Housing: Thermoplastic, Black.
  - \* Male Pin: Copper Alloy, Gold Plated.
  - \* O-Ring: Rubber, Grey.
  - \* Cable Manager: Thermoplastic, Black.
  - \* Sealing Nut: Metal.
  - \* Seal For Cable OD:  $\varnothing 5.0\text{mm} \sim \varnothing 9.0\text{mm}$
  - \* Applicable Wire gauge (Stranded wire cross section) 24AWG-26AWG.
  - \* Detailed Applicable Wire Specifications May Vary Depending On The Actual Wire Construction.

UNIT:mm	
TOLERANCE	$\pm 0.5$

TITLE N SEN, M12 X -SHLD, 08P, SCREW CABLE W/O SR, M, M, FI CRIMP			
SCALE Free	SIZE A4	SHEET 1 OF 1	
REV. B	WC-REV. .0	Ⓞ: Inspection item	

**Amphenol LTW**  
安費諾亮泰企業股份有限公司

ITEM NO	DRAWN BY Xiaofeng	DATE 2021/03/10
DWG NO MSXS-XXBMMC-SL8001	CHECKED BY Li-Feng	DATE 2021/03/10
CUSTOMER ALTW	APPROVED BY Jerry	DATE 2021/03/10