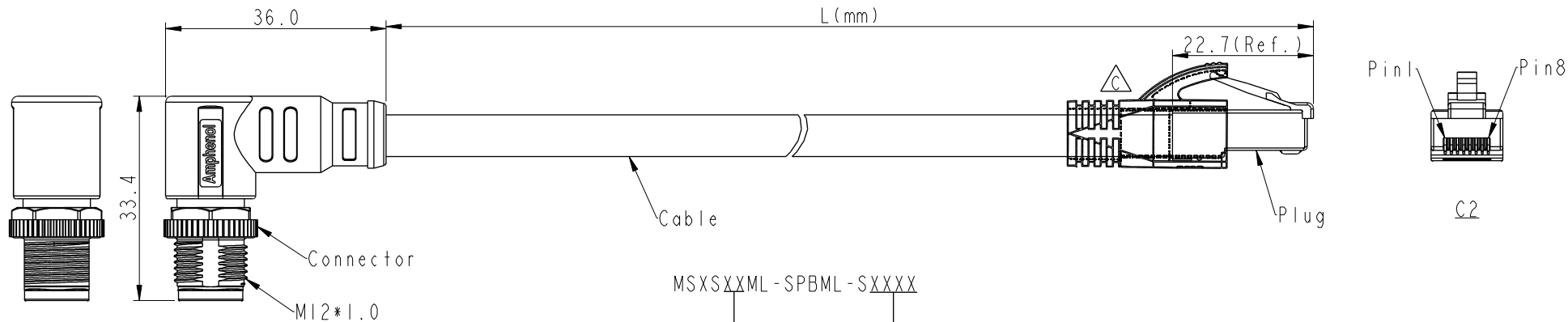


THIS DOCUMENT IS SUBJECT TO CHANGE WITHOUT NOTICE. IT IS CONFIDENTIAL AND A PROPERTY OF Amphenol LTW. DISCLOSURE TO THIRD PARTY HAS TO BE AUTHORIZED BY Amphenol LTW.

| REV. | ECN NO. | DATE | SIGN | DESCRIPTION |
|------|---------|------------|------------|-----------------------------------|
| A | | 2021/02/23 | Vicky | Initial Released |
| B | C210337 | 2021/03/08 | Vicky | Old Item No. MSXSXXMR-SPBML-SGXXX |
| C | C220546 | 2022/03/31 | Arvin Chan | $\triangle C$ *2 |

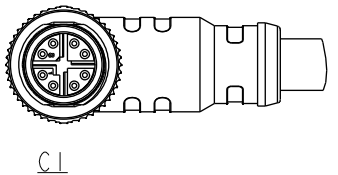


MSXSXXML-SPBML-SXXXX

XX: No. Of Pin

- XXX: 0.5-40Meters
- A05: 0.5Meter
- 001: 01Meter
- 002: 02Meter
- :
- :
- 040: 40Meters

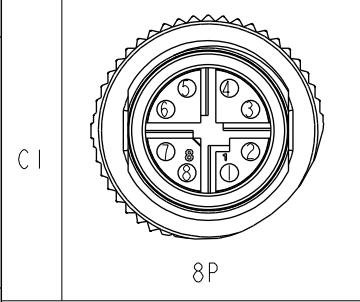
- Note:
- * RoHS Compliant
 - * $\text{\textcircled{C}}$ Important Dimension.
 - * C1
 - Waterproof rate: IPX7, mated
 - Housing: Thermoplastic, Black
 - Pin: Copper alloy, Gold plated
 - Nut: Metal
 - Outer mold: Thermoplastic, Black
 - * C2
 - Waterproof Rate: Non-Waterproof
 - Plug: RJ45, Shielded
 - * $\triangle C$ Cable: CAT-6A, 26#*4P+AL/MY+B
 - TPU Jacket, OD=6.8, Green.
 - * Cable Length Tolerance:
 - 0.5M < L \leq 1M: +60/-0 mm
 - 1M < L \leq 3M: +120/-0 mm
 - 3M < L \leq 5M: +160/-0 mm
 - 5M < L \leq 10M: \pm 100 mm
 - 10M < L \leq 20M: \pm 200 mm
 - 20M < L \leq 30M: \pm 300 mm
 - 30M < L \leq 40M: \pm 500 mm



| Shield | Braid | 編織 | Shield | |
|--------|--------------|-----|--------|-------|
| 6 | Brown | 棕 | 8 | Twist |
| 5 | White/Brown | 白/棕 | 7 | |
| 4 | Green | 綠 | 6 | Twist |
| 3 | White/Green | 白/綠 | 3 | |
| 8 | Blue | 藍 | 4 | Twist |
| 7 | White/Blue | 白/藍 | 5 | |
| 2 | Orange | 橘 | 2 | Twist |
| 1 | White/Orange | 白/橘 | 1 | |
| C1 | | | C2 | |

Pin Assignments Front View

Pin Out



UNIT:mm

| | |
|-----------|------------|
| TOLERANCE | |
| .X | \pm 0.25 |
| .XX | \pm 0.1 |
| .XXX | \pm 0.05 |
| ANGLES | \pm 1° |

| | | | |
|-------------------------------------|-------------|--|--|
| TITLE ACC, SEN, X Code, DB-ENDED MM | | | |
| SCALE 4:1 | SIZE A4 | SHEET 1 OF 1 | |
| REV. C | WC-REV. A.5 | $\text{\textcircled{C}}$: Inspection item | |

Amphenol LTW
安費諾亮泰企業股份有限公司

| | | |
|-----------------------------|-----------------|-----------------|
| ITEM NO | DRAWN BY Vicky | DATE 2021/02/23 |
| DWG NO MSXSXXMR-SPBML-SXXXX | CHECKED BY Rita | DATE 2021/02/23 |
| CUSTOMER ALTW | APPROVED BY Max | DATE 2021/02/23 |