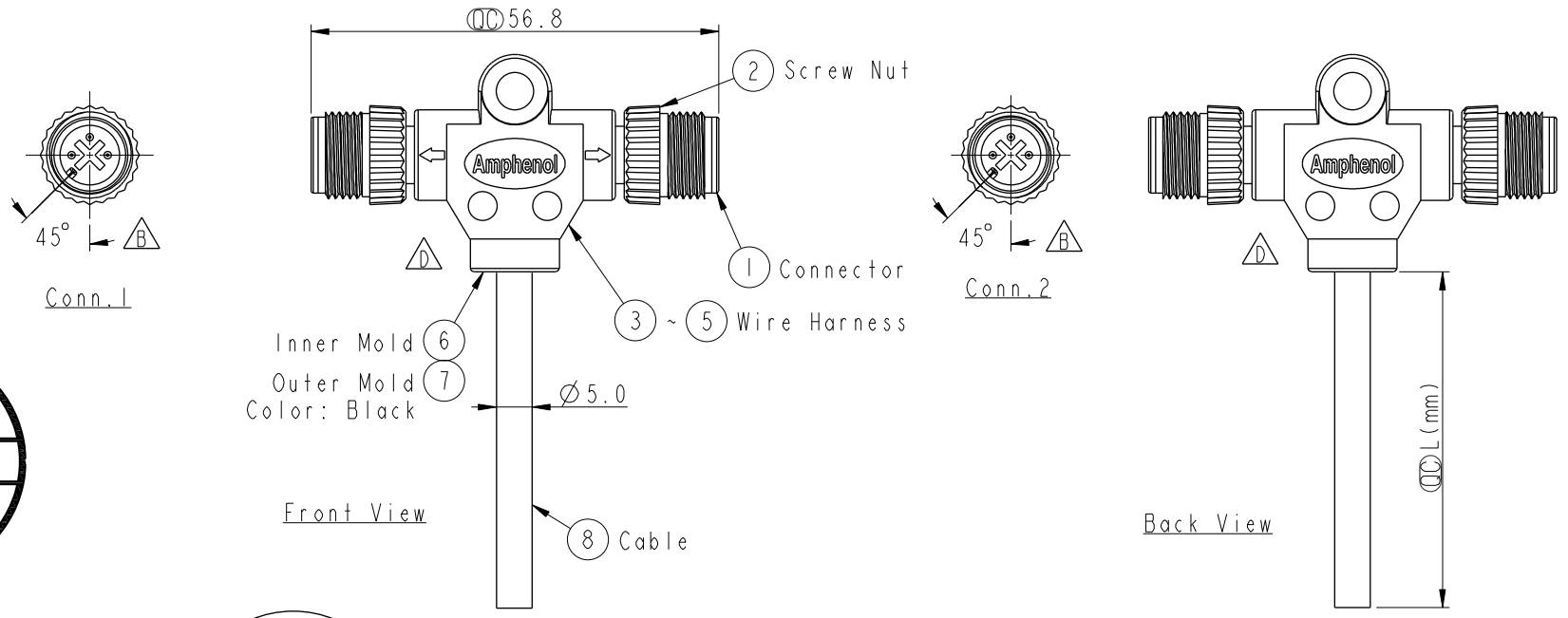


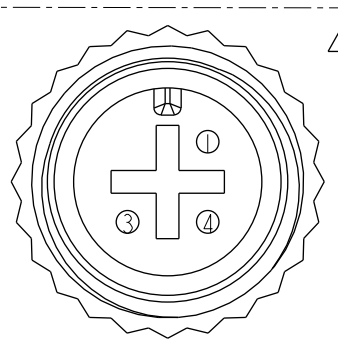
THIS DOCUMENT IS SUBJECT TO CHANGE WITHOUT NOTICE. IT IS CONFIDENTIAL AND A PROPERTY OF Amphenol LTW. DISCLOSURE TO THIRD PARTY HAS TO BE AUTHORIZED BY Amphenol LTW.

REV.	ECN NO.	DATE	SIGN	DESCRIPTION
B	LEN-880358~361	2008/03/08	Li Chi Cheng	Add the partition
C	LE314C0298~301	2014/12/06	Feng_Li	Change the Pin Out
D	LEN1730045~048	2017/02/24	Ruru	Change Outer Mold Design



ALTW
 DCC. DEPT.
 CONFIDENTIAL
 2017.03.09
 ISSUED

ALTW
 CONFIDENTIAL
 2017-02-24
 R&D DEPT.



Conn. 1&2
 Pin Assignments
 Front View

PS-030300-MM0-TSAXX

- XX: 01-99Meters
 - 01: 01Meter
 - 02: 02Meters
 - ...
 - 99: 99Meters
- Cable Length(L): 01~99meters

- Note:
- * (CC) Important Dimension.
 - * Waterproof Rate: IP68
一米水深, 24H
 - * Housing: Black, PU
 - * Male Pin: Copper Alloy, Gold Plated
 - * Wire Harness: UL1007, 24AWG, 3Pcs
 - * Cable: Black, UL2464 22AWG*3C+Talc
PVC Jacket(UV Resistant), OD=5.0mm
 - * Cable Length Tolerance: 01M:±40mm
02M~05M:±60mm
06M~10M:±100mm
11M~30M:±200mm
31M~99M:±500mm

4	Black	黑	4
3	Blue	藍	3
1	Brown	棕	1
Conn. 1	Wire Color		Conn. 2
Pin Out			

UNIT:mm		
TOLERANCE		
±0.5mm		

TITLE M12 Conn T Cable Screw MM Conn MM Pin			
SCALE 1:1	SIZE A4	SHEET 1 OF 1	
REV. D	WC-REV. A.3	(CC): Inspection item	

Amphenol LTW
 安費諾亮泰企業股份有限公司

ITEM NO	DRAWN BY Ruru	DATE 2017-02-24
DWG NO PS-030300-MM0-TSAXX	CHECKED BY Rita	DATE 2017-02-24
CUSTOMER ALTW	APPROVED BY Max	DATE 2017-02-24