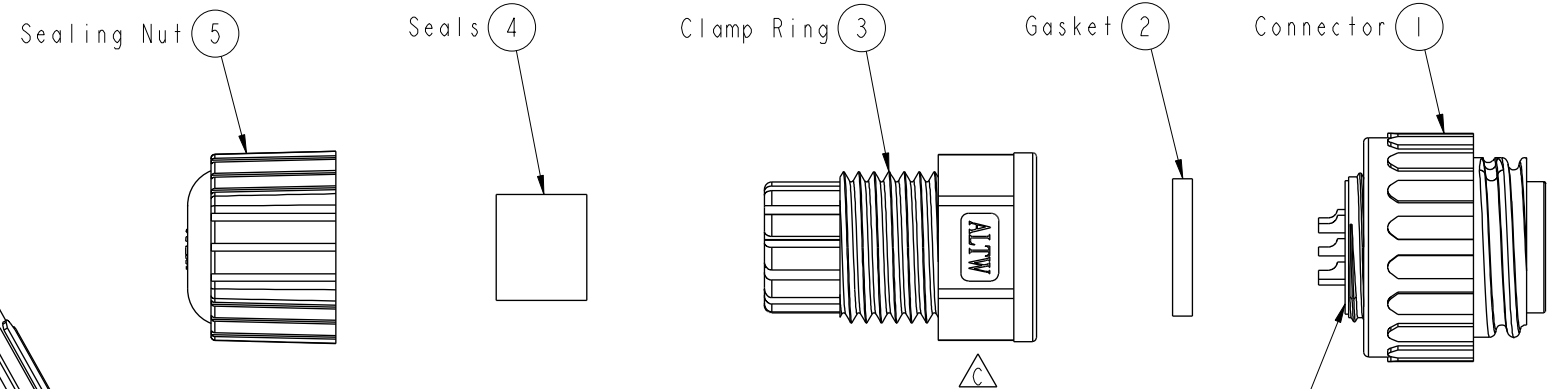
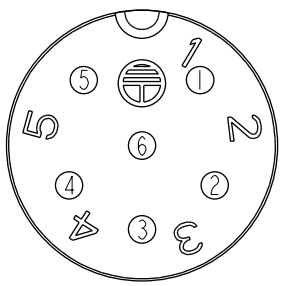


THIS DOCUMENT IS SUBJECT TO CHANGE WITHOUT NOTICE. IT IS CONFIDENTIAL AND A PROPERTY OF Amphenol LTW. DISCLOSURE TO THIRD PARTY HAS TO BE AUTHORIZED BY Amphenol LTW.

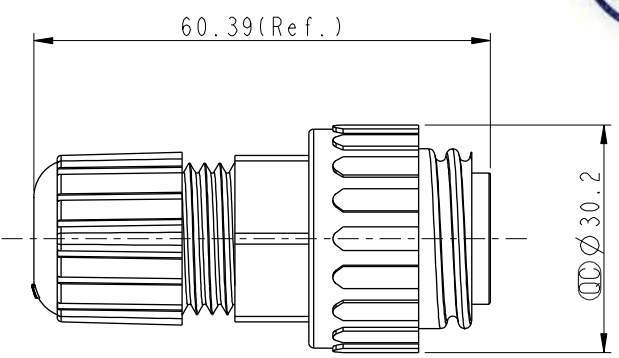
| REV. | ECN NO. | DATE | SIGN | DESCRIPTION |
|------|------------|------------|-------|----------------|
| B | LEN-870140 | 2008/07/24 | Yuri | Update Drawing |
| C | LEN1741291 | 2017/04/18 | Vicky | Update Logo |



- Note:
- * Ⓞ Important Dimension
 - * Waterproof Rate: IP67
 - * Seals for Cable OD: $\varnothing 5.5\text{mm} \sim \varnothing 10.8\text{mm}$
(防水墊圈限用線徑: $\varnothing 5.5\text{mm} \sim \varnothing 10.8\text{mm}$)
 - * One Set Unassembled in One LTW Sealed Bag
(每一組未組裝, 放置於一個 Amphenol LTW 封口袋)
 - * Housing: Nylon+GF, Black
 - * Male Pin: Copper Alloy, Gold Plated
 - * Screw Nut: Nylon+GF, Black
 - * Ⓐ Gasket: Silicone, Black
 - * Clamp Ring: Nylon, Black
 - * Seals: EPDM, Black
 - * Sealing Nut: Nylon, Black
 - * Liquid Glue : Claer



Pin Assignments
Front View



| | | |
|-----------|---------------|------------|
| UNIT: mm | Ⓞ | Ⓐ |
| TOLERANCE | | |
| .X | ± 0.25 | |
| .XX | ± 0.1 | |
| .XXX | ± 0.05 | |
| ANGLES | $\pm 1^\circ$ | |

| | | | |
|--|----------------|------------------------------|--|
| TITLE Power, Assy Screw 6Pin M Conn M Pin | | | |
| SCALE 1:1 | SIZE A4 | SHEET 1 OF 1 | |
| REV. C | WC-REV. A.4 | Ⓞ : Inspection item | |

Amphenol LTW
安費諾亮泰企業股份有限公司

| | | |
|------------------------------|-------------------------|--------------------|
| ITEM NO PWE-06BMMA-SL7001 | DRAWN BY DEL_Jeffrey | DATE 2012-09-13 |
| DWG NO PWE-06BMMA-SL7001 | CHECKED BY SamChang | DATE 2012-09-13 |
| CUSTOMER ALTW | APPROVED BY Maslow | DATE 2012-09-13 |