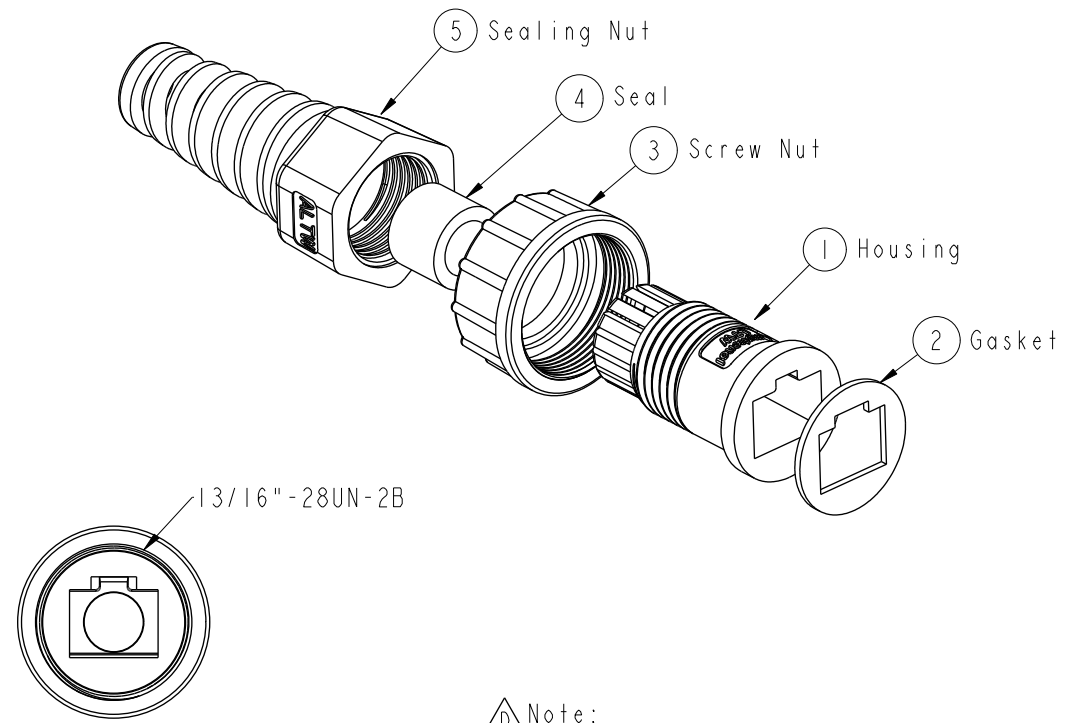
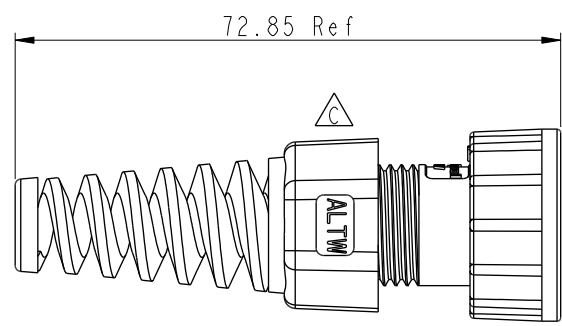
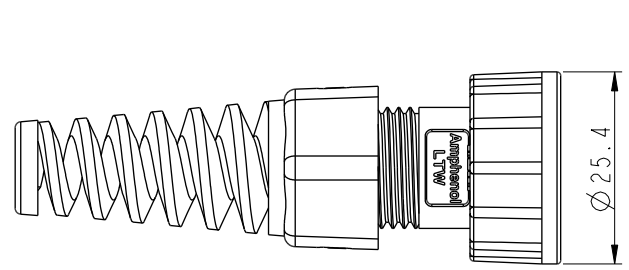


THIS DOCUMENT IS SUBJECT TO CHANGE WITHOUT NOTICE. IT IS CONFIDENTIAL AND A PROPERTY OF Amphenol LTW. DISCLOSURE TO THIRD PARTY HAS TO BE AUTHORIZED BY Amphenol LTW.

REV.	ECN NO.	DATE	SIGN	DESCRIPTION
B	LE31490136	2014/09/03	Joyy	Change to 94V0 material
C	LEN1540064	2015/03/25	Ruru	Change Logo
D	C201856	2020/11/25	Vicky	$\triangle D$ *2



- $\triangle D$ Note:
- * $\text{\textcircled{C}}$ Important Dimension To Check
 - * Waterproof Rate: IP67, Mated
 - * Housing: Thermoplastic, Black
 - * Gasket: Rubber, Gray
 - $\triangle B$ * Seal: Rubber, Gray
 - * Screw Nut: Zinc Alloy, Nickel Plated
 - $\triangle B$ * Sealing Nut: Thermoplastic, Black
 - * Seal for Cable OD $\varnothing 4.5\text{mm} \sim \varnothing 7.5\text{mm}$
 - * One Set Unassembled in One PE Bag

UNIT: mm			TITLE RJ, C METAL, NONE CABLE W/SR, M, FI COMPLETED, SCREW	$\triangle D$
TOLERANCE .X ± 0.25 .XX ± 0.1 .XXX ± 0.05 ANGLES $\pm 1^\circ$			SCALE 1:1	SIZE A4
			REV. D	WC-REV. A.8
				$\text{\textcircled{C}}$: Inspection item

Amphenol LTW
安費諾亮泰企業股份有限公司

ITEM NO. RCM-00AMMA-SLM7001	DRAWN BY Ruru	DATE 2015-03-25
DWG NO. RCM-00AMMA-SLM7001	CHECKED BY Rita	DATE 2015-03-25
CUSTOMER ALTW	APPROVED BY Lion	DATE 2015-03-25