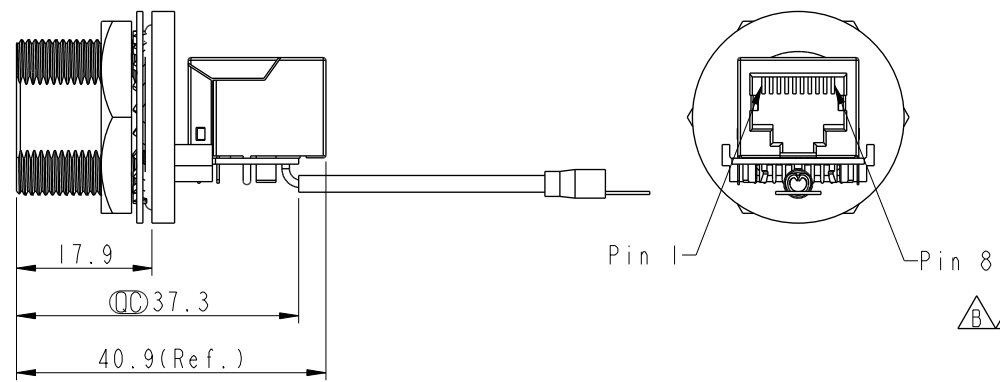
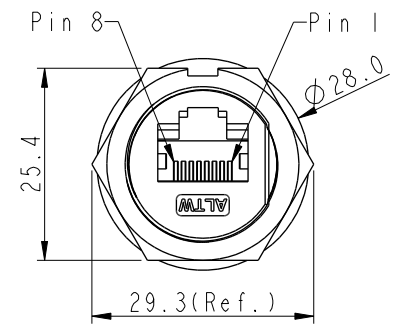
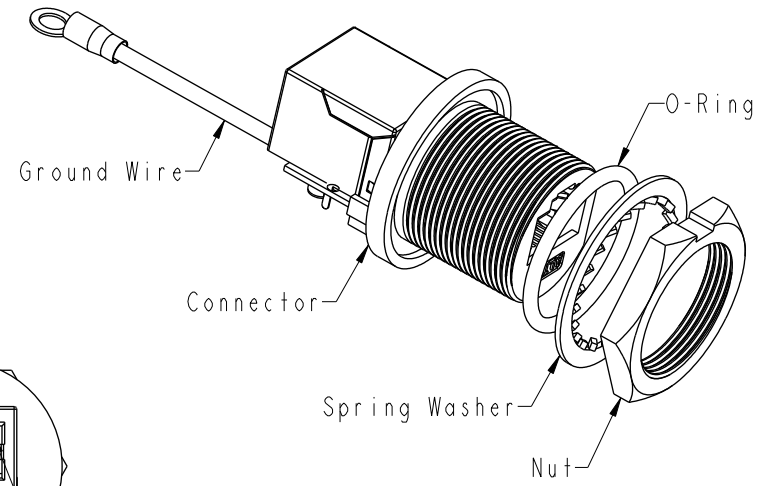
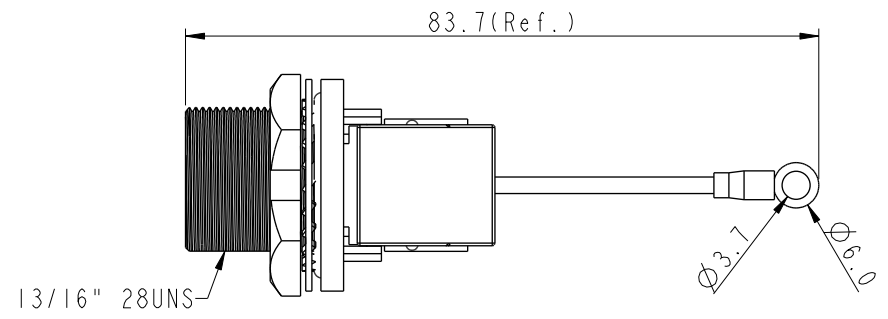
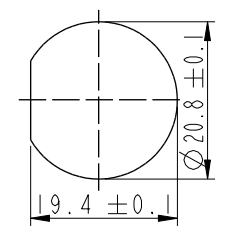


THIS DOCUMENT IS SUBJECT TO CHANGE WITHOUT NOTICE. IT IS CONFIDENTIAL AND A PROPERTY OF AMPHENOL LTW. DISCLOSURE TO THIRD PARTY HAS TO BE AUTHORIZED BY AMPHENOL LTW.

REV.	ECN NO.	DATE	SIGN	DESCRIPTION
A	Initial Release	2014/08/12	Tom	Change Rev. I To Rev.A
B	C190405	2019/03/18	Ruru	Modify Note
C	C220801	2022/06/07	Vicky	$\triangle C$ X2



- $\triangle B \triangle C$  Note:
- \* RoHS Compliant
  - \*  $\text{CC}$  Important dimension
  - \* Waterproof rate: IPX7, unmated
  - \* Connector
  - Housing: Metal, RJ45 jack, shielded
  - \* Nut: Metal
  - \* Spring Washer: Metal
  - \* O-Ring: Rubber, Gray\_Black
  - \* Use with waterproof cap or dust cap  
  Panel thickness max: 3.0mm
  - \* Use without waterproof cap or dust cap  
  Panel thickness max: 4.2mm
  - \* Nut is assembled on connectors
  - \* Wire: UL1015, 20AWG, Green



Recommended Panel Cut-Out

UNIT: mm	$\text{CC}$	$\triangle C$	TITLE RJ, C METAL, C5E SHLD FRONT FASTENED, F, PNL JACK S, SCREW
TOLERANCE .X ±0.25 .XX ±0.1 .XXX ±0.05 ANGLES ±1°	SCALE 1:1	SIZE A4	SHEET 1 OF 1
	REV. C	WC-REV. A.9	$\text{CC}$ : Inspection item

**Amphenol LTW**  
安費諾亮泰企業股份有限公司

ITEM NO. RCM-5SPFFH-SCU7002	DRAWN BY Ruru	DATE 2019-03-18
DWG NO. RCM-5SPFFH-SCU7002	CHECKED BY Rita	DATE 2019-03-18
CUSTOMER ALTW	APPROVED BY Max	DATE 2019-03-18