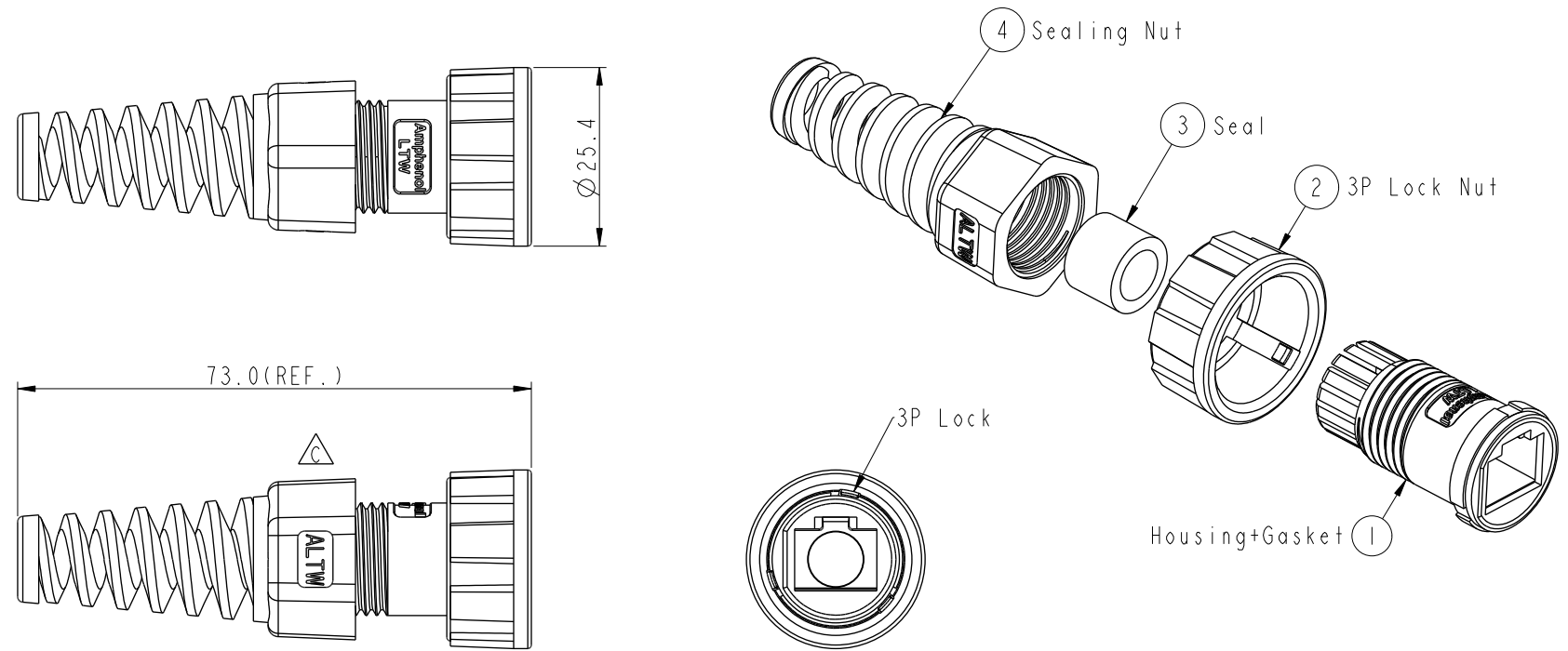


THIS DOCUMENT IS SUBJECT TO CHANGE WITHOUT NOTICE. IT IS CONFIDENTIAL AND A PROPERTY OF Amphenol LTW. DISCLOSURE TO THIRD PARTY HAS TO BE AUTHORIZED BY Amphenol LTW.

REV.	ECN NO.	DATE	SIGN	DESCRIPTION
B	LE31490139	2014/09/02	Joyy	Change to 94V0 material
C	LEN1540066	2015/03/25	Ruru	Change Logo
D	C201856	2020/11/25	Vicky	$\triangle D$ *2



- $\triangle D$  Note:
- \*  $\text{\textcircled{D}}$  Important Dimension
  - \* Waterproof Rate: IP67, Mated
  - \* Housing: Thermoplastic, Black
  - \* Gasket: Rubber, Gray
  - $\triangle B$  \* Lock Nut: Thermoplastic, Black
  - $\triangle B$  \* Sealing Nut: Thermoplastic, Black
  - \* Seal: Rubber, Gray
  - \* Seal for cable OD  $\varnothing 4.5 \sim \varnothing 7.5$ mm
  - \* One Set Unassembled in One PE Bag

UNIT: mm			TITLE RJ, C PLASTIC, NONE CABLE W/SR, M, FI COMPLED, 3LOCK	$\triangle D$
TOLERANCE .X $\pm 0.25$ .XX $\pm 0.1$ .XXX $\pm 0.05$ ANGLES $\pm 1^\circ$			SCALE 1:1	SIZE A4
			REV. D	WC-REV. A.7
				$\text{\textcircled{D}}$ : Inspection item

**Amphenol LTW**  
安費諾亮泰企業股份有限公司

ITEM NO. RCP-00AMMA-TLM7001	DRAWN BY Ruru	DATE 2015-03-25
DWG NO. RCP-00AMMA-TLM7001	CHECKED BY Rita	DATE 2015-03-25
CUSTOMER ALTW	APPROVED BY Lion	DATE 2015-03-25